



Identification	Type	LCOS-PS-1-120-24
	Part-No.	779101.1413

Description	Primary switchmode power supply, PFC, Single-phase
	Input: Wide range input AC 88 - 264 V
	Output: 24 V, adjustable

25.08.2017 – Subject to technical modification

Part-No. 779101.1413

USA: LUTZE INC.

13330 South Ridge Drive · Charlotte, NC 28273, USA

Tel. +1 (704) 504-0222 · Fax +1 (704) 504-0223

www.lutze.com · info@lutze.com

United Kingdom: LÜTZE Ltd.

Unit 3, Sandy Hill Park

Sandy Way, Amington · GB-Tamworth, Staffs B77 4DU

Tel. +44 (0)1827 31333-0 · Fax +44 (0)1827 31333-2

www.lutze.com · sales.gb@lutze.co.uk



SYSTEMATIC TECHNOLOGY

Technical data sheet - Power supply

Input

Number of phases	1
Rated voltage U_N	AC 88–264 V
Line frequency	47 – 63 Hz
Rated current I_N	0.70 A @ AC 230 V
Inrush current	<20 A @ AC 230 V
Internal fuse	T4 A/AC 250 V
External fuse	Mini-circuit breaker: B 6 A
Power Factor Correction P.F.C.	>0.96

Output

Rated voltage U_N	DC 24.00 V
Rated current I_N	5.00 A
Max. output current	>7.5 A, 5 s @ $U_{out} > 90 \%$
Short-circuit current	–
Setting range $U_{out \min.}/U_{out \max.}$	DC 23–27.5 V
Load regulation	downslope -2 % @ 5 A
Line regulation	0.5 %
Rise time	< 1 S
Ripple and Noise	≤ 100 mV pp
Hold up time	>20 ms
Status indication DC ON LED green	≥ 21.6 V
Status indication DC LOW LED red	$I_{out} > 110 \% I_N$
Parallel / redundant mode	max. 4 devices / redundancy via decoupling diode
Efficiency	>93 %
Protection device	Over voltage protection
Over voltage protection	35 V
Power loss (nominal operations) max.	9 W @ 230 V
Rated over load protection	yes
Short circuit	Current limit (overload), Hiccup (short-circuit)

Status indication

Status display output	DC ON, green ≥ 21.6 V $I_{out} > 110 \% I_N$
-----------------------	--

Monitoring

DC ON Control (Rdy)	Open Collector
Protection	DC ON, open collector
Switching voltage	DC 30 V
Switching current	max. 0.100 A

Remote input

25.08.2017 – Subject to technical modification

Part-No. 779101.1413

USA: LUTZE INC.

13330 South Ridge Drive • Charlotte, NC 28273, USA

Tel. +1 (704) 504-0222 • Fax +1 (704) 504-0223

www.lutze.com • info@lutze.com

United Kingdom: LÜTZE Ltd.

Unit 3, Sandy Hill Park

Sandy Way, Amington • GB-Tamworth, Staffs B77 4DU

Tel. +44 (0)1827 31333-0 • Fax +44 (0)1827 31333-2

www.lutze.com • sales.gb@lutze.co.uk



SYSTEMATIC TECHNOLOGY

Technical data sheet · Power supply

control voltage	DC 24 V
Control current	DC 5 mA
ON/OFF	11 V – 30 V: OFF, DC 5 V: ON

General

Insulation voltage input / output	AC 3.0 kV _{eff}
Insulation voltage input / ground	AC 1.5 kV _{eff}
Insulation voltage output / ground	DC 0.5 kV _{eff}
Derating	>50 °C: -4 W/°C
Operation temperature range	-25 °C ... +70 °C
Storage temperature range	-25 °C ... +85 °C
MTBF	>500000 h: SN29500 / >150000 h: MIL HDBK 217F
Relative air humidity	20 – 95 % RH, not condensing
Cooling	Air convection
Housing material	PA 6.6 (UL 94 V-0, NFF I2, F2)
Colour of the housing	pebble grey
Mounting	DIN rail mountable TS35 (EN 60715)
Application height	2000 m
Installation position	vertical
Protection class	IP20
Protection class	I (SELV, PELV)
Over voltage category	II (IEC 664-1)
Degree of pollution	2
Weight	0.350 kg/piece
Connection device	0.20 mm ² – 2.5 mm ² AWG 24 – AWG 12 input: 3-pin output: 8-pole
Dimensions (w × h × d)	35.0 × 100.0 × 110.0 mm
Approvals	UL cUL cULus in preparation
Standards	IEC 60950 IEC 950 EN 60950 EN 61000-6-2 (2005) EN 60100-6-4 (2007) EN 61000-4-2/3/4/5/6/11 EN 61000-5-5 EN 50178 EN 61558
PU	1 piece

25.08.2017 – Subject to technical modification

Part-No. 779101.1413

USA: LUTZE INC.

13330 South Ridge Drive · Charlotte, NC 28273, USA
Tel. +1 (704) 504-0222 · Fax +1 (704) 504-0223
www.lutze.com · info@lutze.com

United Kingdom: LÜTZE Ltd.

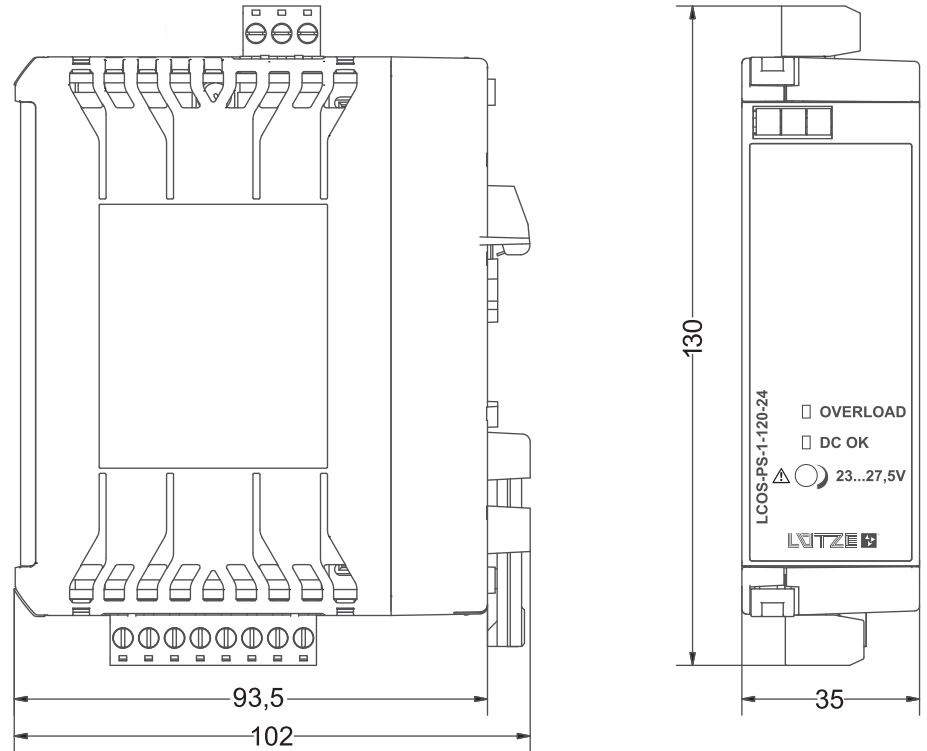
Unit 3, Sandy Hill Park
Sandy Way, Amington · GB-Tamworth, Staffs B77 4DU
Tel. +44 (0)1827 31333-0 · Fax +44 (0)1827 31333-2
www.lutze.com · sales.gb@lutze.co.uk



SYSTEMATIC TECHNOLOGY

Technical data sheet · Power supply

Dimensions



25.08.2017 – Subject to technical modification

Part-No. 779101.1413

USA: LUTZE INC.

13330 South Ridge Drive · Charlotte, NC 28273, USA

Tel. +1 (704) 504-0222 · Fax +1 (704) 504-0223

www.lutze.com · info@lutze.com

United Kingdom: LÜTZE Ltd.

Unit 3, Sandy Hill Park

Sandy Way, Amington · GB-Tamworth, Staffs B77 4DU

Tel. +44 (0)1827 31333-0 · Fax +44 (0)1827 31333-2

www.lutze.com · sales.gb@lutze.co.uk