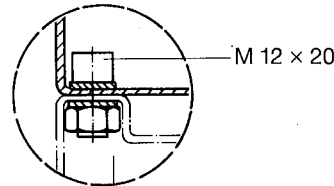
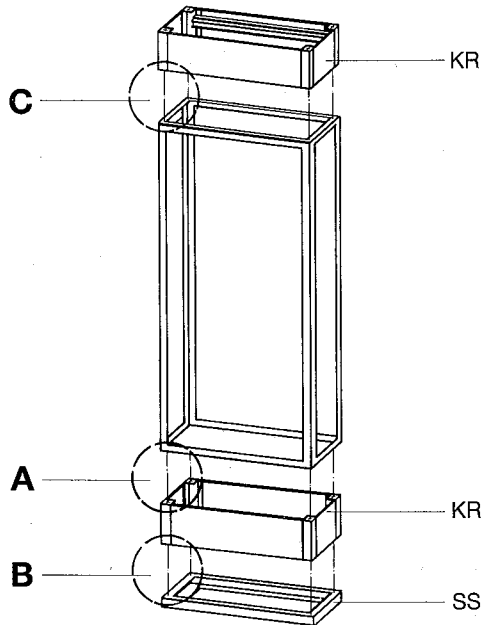




KR, SS → GU, GG, GK, IGK, IVS, ID 2000
KSV → KR
KSVG → GU, GG

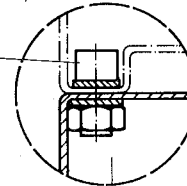
11/89 AWA 32-565

KR, SS → GU, GG, GK, IGK, IVS, ID 2000



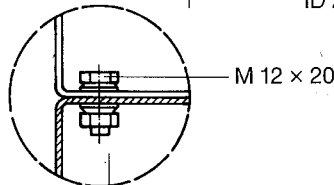
C → GU, GG-(A)
ID 2000

M 12 × 20



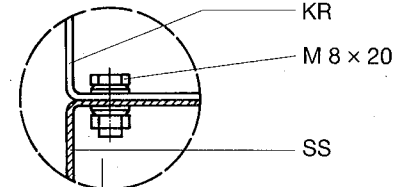
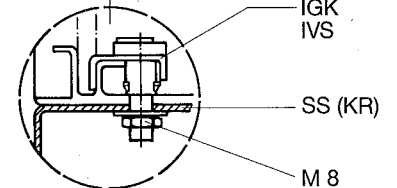
A, B → GU, GG-(A)
ID 2000

M 12 × 20



B → GU, GG-(A)
ID 2000

C, A → IGK



B → IGK

