



Block Series:

BH Series: For use with Edison high speed semiconductor and "bolt-in" fuses

Base: Light weight, high temperature thermoplastic

Mounting Studs: Plated steel

Nut: Plated steel

Washer: Spring steel

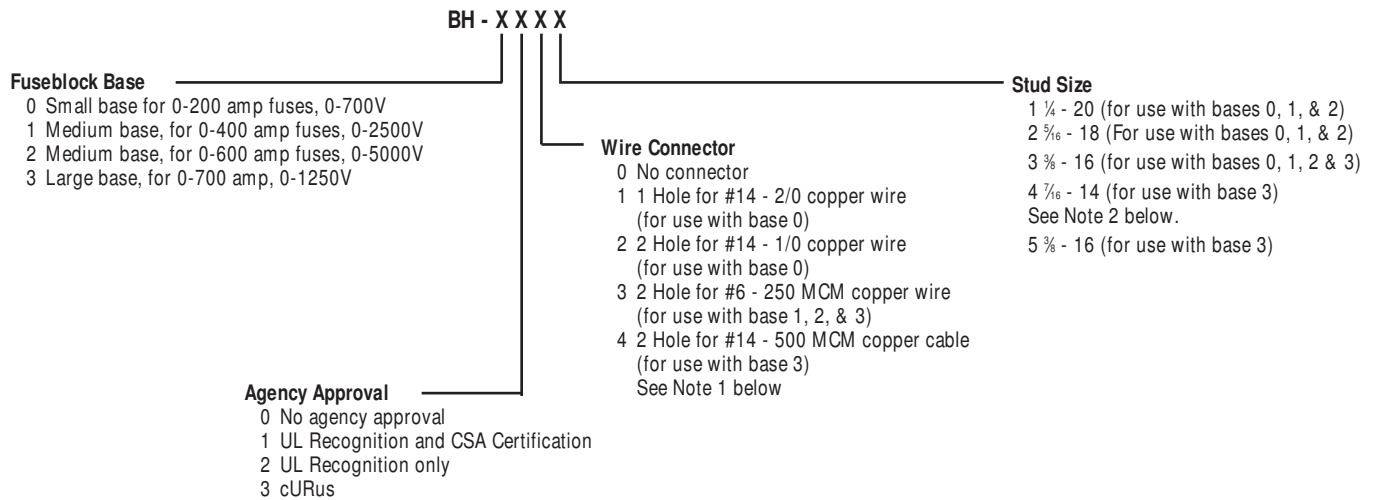
Agency Approvals:

UL Recognized, Guide IZLT2/IZLT8, File E14853 up to 700V
CSA, Class 6225-01, File 47235 up to 700V

Contact Edison Customer Satisfaction for ordering information and dimensional data.

Catalog Number BH Series

Catalog Code Description:
Block Series



- NOTES:**
1. The #4 connector must be used with either the 7/16 - 14 or the 3/8" - 16 stud.
 2. The only compatible connector for the 7/16" - 14 stud is #4.
 3. Always check applicable end use standards for required spacing between blocks, fuses or other hardware.
 4. For applications above 700V, consult appropriate electrical standard for proper creepage distances, clearance distances and insulator voltage withstand ratings.

Catalog Numbers

BH-0001	BH-0122	BH-2001	BH-3004
BH-0002	BH-1001	BH-2002	BH-3033
BH-0003	BH-1002	BH-2003	BH-3144
BH-0111	BH-1003	BH-2031	BH-3145
BH-0112	BH-1131	BH-2032	—
BH-0113	BH-1132	BH-2033	—
BH-0121	BH-1133	BH-3003	—