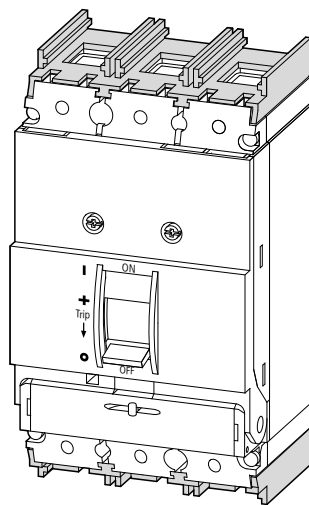
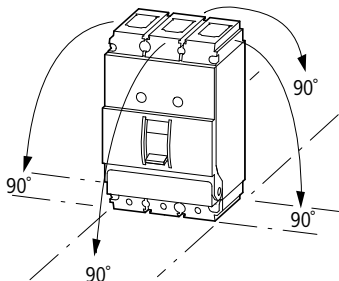


**NZMB(C)(N)(S)(H)1(-4)-A(M)(S)...**  
**NZMB(N)1-A(AF)...**-NA  
**NZMB(N)1-S...**-CNA  
**(P)N1...**(-NA)  
**NS1...**-NA

**-NA**  
**-CNA**  
(UL/ CSA Models)



**⚠ (en) Electric current! Danger to life!**

Only skilled or instructed persons may carry out the following operations.

**(de) Lebensgefahr durch elektrischen Strom!**

Nur Elektrofachkräfte und elektrotechnisch unterwiesene Personen dürfen die im Folgenden beschriebenen Arbeiten ausführen.

**(fr) Tension électrique dangereuse !**

Seules les personnes qualifiées et averties doivent exécuter les travaux ci-après.

**(es) ¡Corriente eléctrica! ¡Peligro de muerte!**

El trabajo a continuación descrito debe ser realizado por personas cualificadas y advertidas.

**(it) Tensione elettrica: Pericolo di morte!**

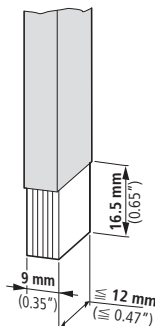
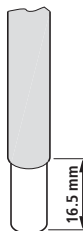
Solo persone abilitate e qualificate possono eseguire le operazioni di seguito riportate.

**(zh) 触电危险!**

只允许专业人员和受过专业训练的人员进行下列工作。

**(ru) Электрический ток! Опасно для жизни!**

Только специалисты или проинструктированные лица могут выполнять следующие операции.



1 x 10 - 70 mm<sup>2</sup> (95 mm<sup>2</sup>)\*

≧ 2 x 9 x 0.8 mm  
≧ 2 x 0.35" x 0.03"

2 x 6 - 25 mm<sup>2</sup>

1 x AWG 12 - 1 x AWG 2/0

UL/CSA = Cu only, Ampacity per 75° C Table.

\* Max. 95 mm<sup>2</sup> can be connected depending on the cable manufacturer

Je nach Kabelhersteller bis zu 95 mm<sup>2</sup> anschließbar

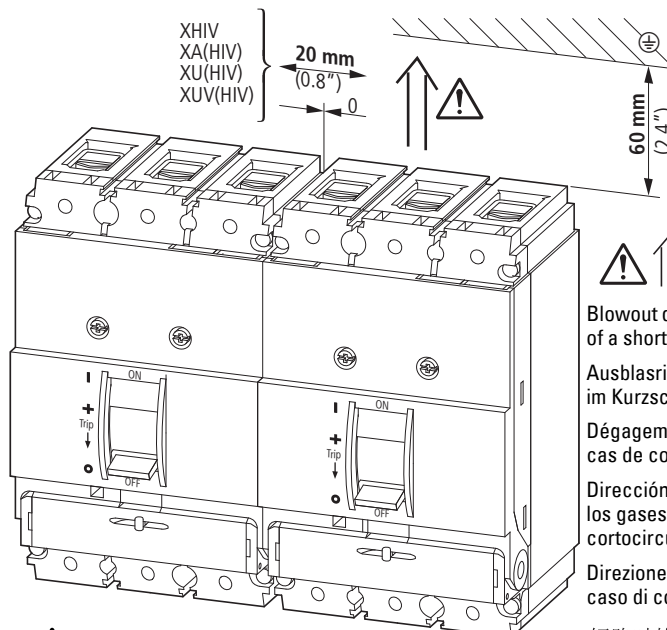
Selon le fabricant de câble, possibilité de raccorder jusqu'à 95 mm<sup>2</sup>

Dependiendo del fabricante del cable pueden conectarse hasta 95 mm<sup>2</sup>

Sezione max collegabile 95 mm<sup>2</sup> in base al produttore del cavo

根据不同的电缆制造商,可连接最大 95 mm<sup>2</sup>

В зависимости от производителя кабеля можно подключать до 95 мм<sup>2</sup>



Minimum Clearance space for all models



Blowout direction in case of a short-circuit

Ausblasrichtung im Kurzschlussfall

Dégagement gazeux en cas de court-circuit

Dirección de salida de los gases en caso de cortocircuito

Direzione di estinzione in caso di corto circuito

短路时的排空方向  
Направление продувки в случае короткого замыкания



**(en) Caution!**

The removal or exchange of parts during mounting may become necessary. Refer to installation instructions for proper assembly and to maintain electrical clearances.

**(de) Vorsicht!**

Für die Durchführung der beschriebenen Arbeiten kann das Entfernen oder der Austausch von Teilen notwendig sein. Bitte alle Installations-Anweisungen beachten, um die erforderlichen Luft- und Kriechstrecken nach dem Zusammenbau zu gewährleisten.

**(fr) Attention !**

L'enlèvement ou l'échange de certaines pièces pendant le montage est parfois nécessaire. Consultez l'instruction d'assemblage pour assurer une installation conforme aux normes.

**(es) ¡Atención!**

Con el fin de llevar a cabo los trabajos descritos, puede ser necesario eliminar o cambiar alguna pieza. Le rogamos tenga en cuenta todas las instrucciones de instalación para así garantizar las líneas de fuga y efluvo necesarias tras el montaje.

**(it) Attenzione!**

Per l'esecuzione degli interventi descritti potrebbe essere necessaria la rimozione o sostituzione di alcuni pezzi. Attenersi alle istruzioni d'installazione per garantire dopo l'assemblaggio le vie di dispersione necessarie.

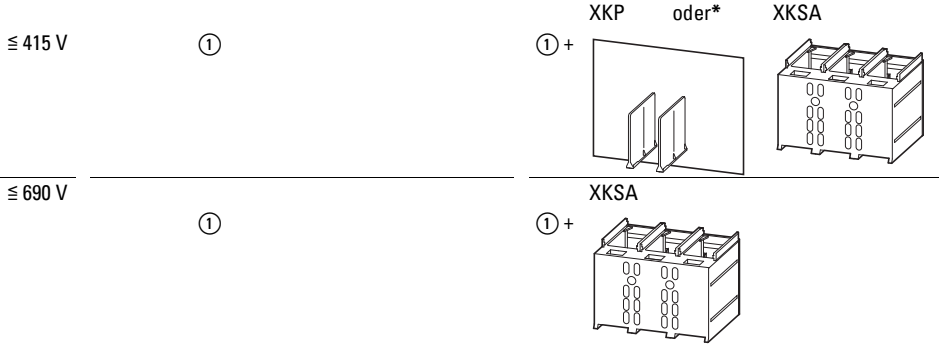
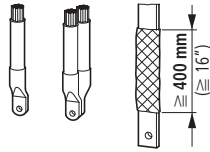
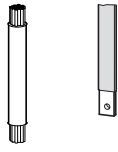
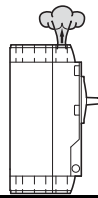
**(zh) 小心!**

执行所描述的操作时可能需要拆除或更换零部件。请遵守所有相关的安装说明,以确保在组装后能获得需要的空间距离或爬电距离。

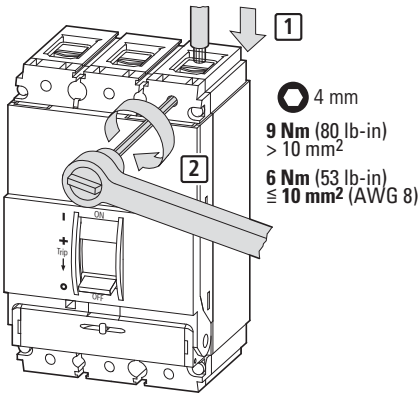
**(ru) Осторожно!**

При проведении описанных процедур может возникнуть необходимость демонтировать или заменить детали. Для обеспечения надлежащих зазоров и вывода тока утечки, соблюдайте все инструкции по монтажу.

NZM.1(-4)-...

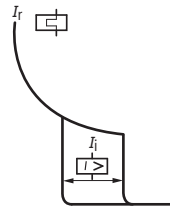
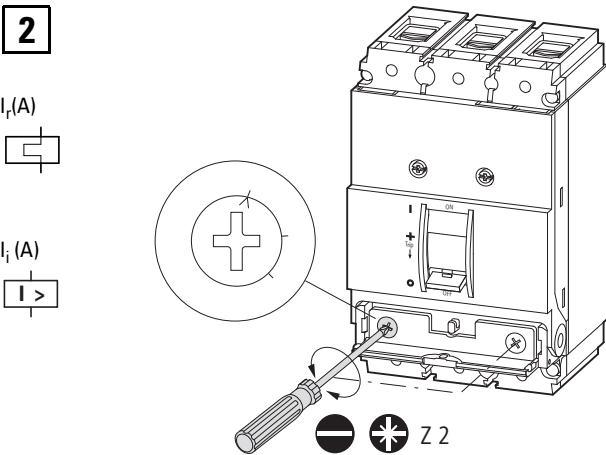
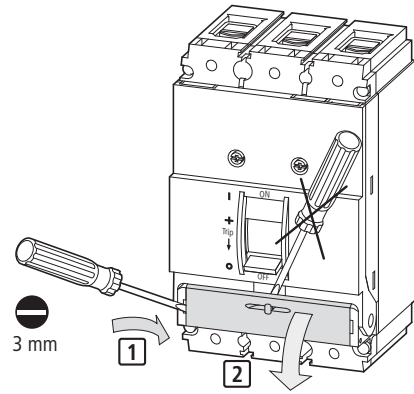


- ① Basic device – Grundgerät – Appareil de base – Aparato base – Apparecchio base – 基础设备 – Основное устройство
- + Combination options – Kombinationsmöglichkeiten – Combinaisons possibles – Combinaciones posibles – Combinazioni possibili – 组合方法 – Комбинационные возможности
- \* or – oder – ou – ó – oppure – 或者 – или



**1**

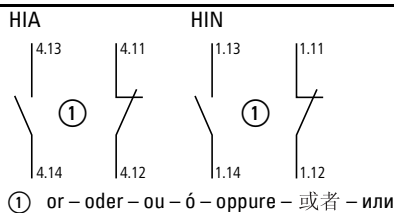
Settings  
Einstellung  
Réglages  
Parámetros  
Regolazione  
设置  
Настройка



**Note:** On certain models with UL/CSA labeling the thermal trip setting is fixed and only the magnetic trip (instantaneous) setting is adjustable.

Setting I<sub>i</sub> with DC = setting I<sub>i</sub> AC/1.25  
Einstellwert I<sub>i</sub> bei DC = Einstellwert I<sub>i</sub> AC/1,25  
Valeur de réglage I<sub>i</sub> avec DC = valeur de réglage I<sub>i</sub> AC/1,25  
Valor de respuesta I<sub>i</sub> con DC = valore de respuesta I<sub>i</sub> AC/1,25  
Valore di regolazione I<sub>i</sub> con DC = valore di regolazione I<sub>i</sub> AC/1,25  
DC 的设置值 I<sub>i</sub> = AC/1.25 的设置值 I<sub>i</sub>  
Значение I<sub>i</sub> при постоянном токе = I<sub>i</sub> при переменном токе /1.25

**M22-K10**  
**M22-K01**  
**M22-CK10**  
**M22-CK01**  
**Auxiliary Switches**



-NA  
-CNA  
(UL/CSA)



I<sub>th</sub> = I<sub>e</sub>

U <sub>e</sub> (V)	I <sub>e</sub> (A)
600 AC	5 A
250 DC	1 A

Pilot Duty Ratings:  
B 600, Q 300  
Above 300 VAC  
Same polarity

IEC



I<sub>th</sub> = I<sub>e</sub>

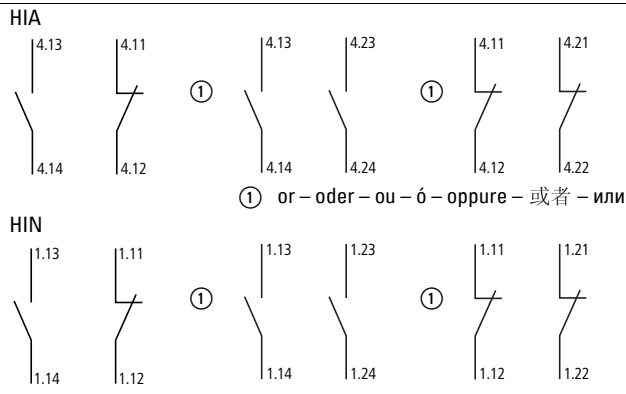
	U <sub>e</sub> (V)	I <sub>e</sub> (A)
AC-15	115	4
	230	4
	400	2
DC-13	500	1
	24	3
	42	1.7
	60	1.2
	110	0.6
	220	0.3



**Note:** After mounting of the M22... switch is complete, check off the appropriate box on the auxiliary switch label provided on the side of the breaker or switch.

- Notes on mounting and wiring Auxiliary Switches for UL/CSA labeled models:**
- M22-K(10)(01) have screw terminals. M22-CK(10)(01) have clamp terminals.
  - Switch modules are snapped into place at the locations shown in the diagrams that follow.
  - Switches will function as either „standard“ or „trip/alarm“ contacts depending on their mounting location.
  - Location „HIN“ refers to standard operation. Location „HIA“ refers to „trip/alarm“ operation.
  - Follow the numbering and wiring scheme provided above depending on the contact location and function. (N.O. or N.C.)
  - Permissible contact configuration: 1 HIA and/or 1 HIN.

M22-CK11  
M22-CK20  
M22-CK02



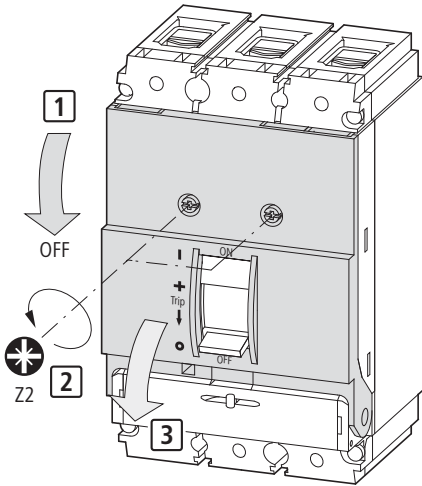
IEC

$I_{th} = I_e$

	$U_e$ (V)	$I_e$ (A)
AC-15	115	4
	230	4
DC-13	24	3
	42	1
	60	0.8
	110	0.5
	220	0.2

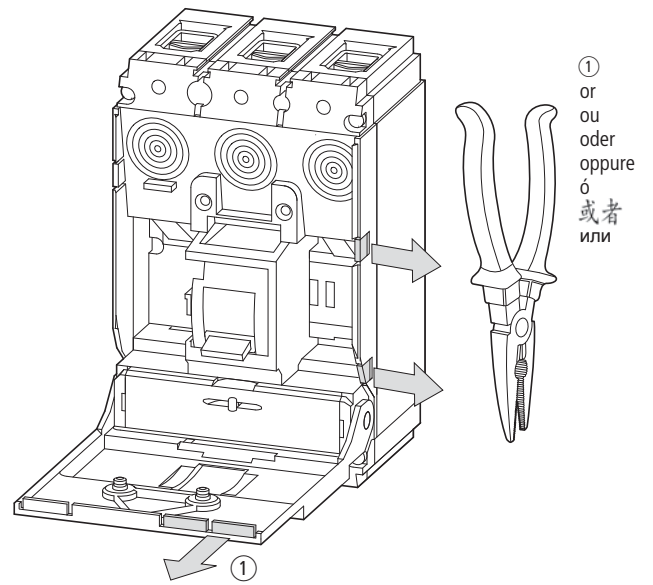
Mounting – Montage – Montage – Montaggio – Montaje – 安裝 – Монтаж

1

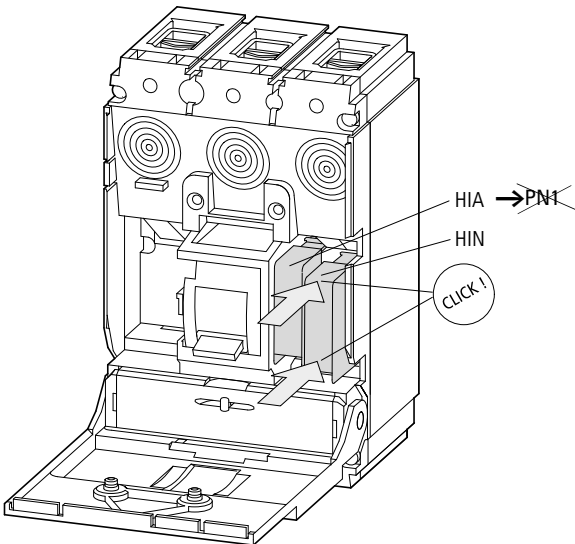


11/15 IL01203004Z

2

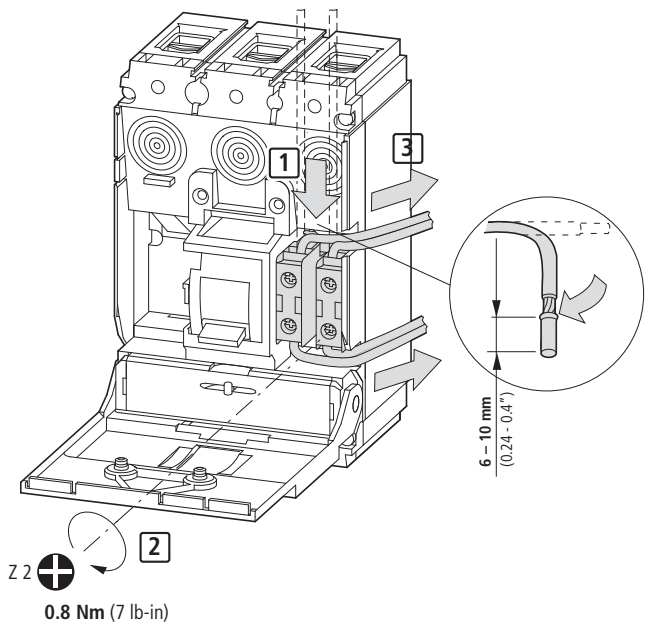


3



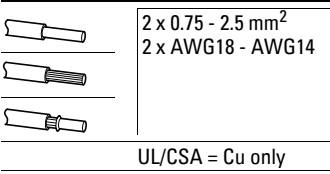
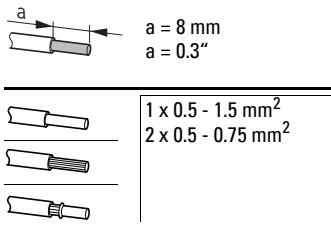
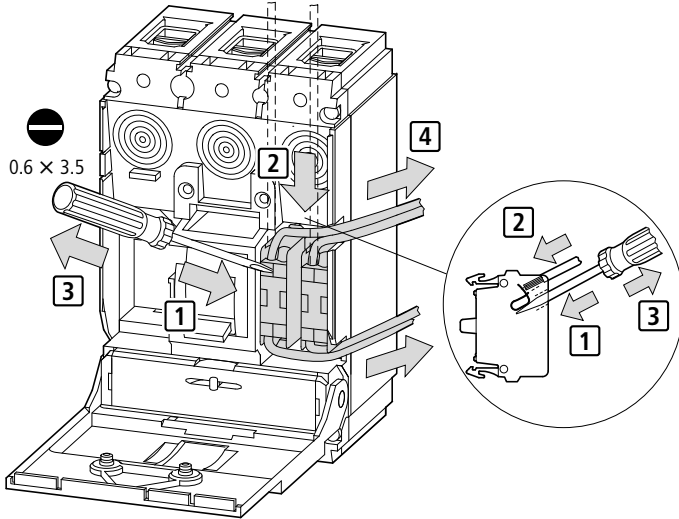
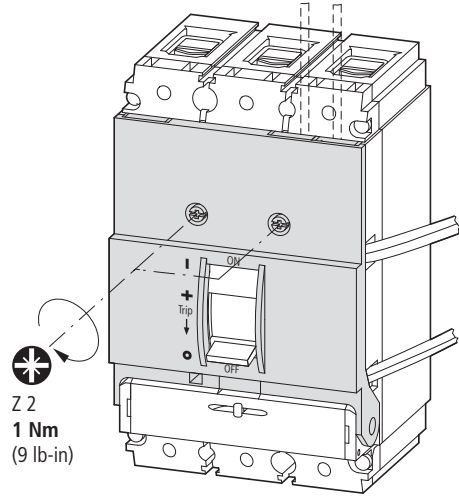
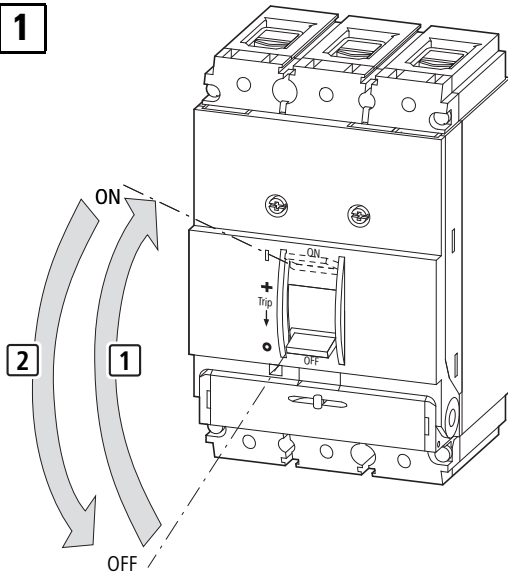
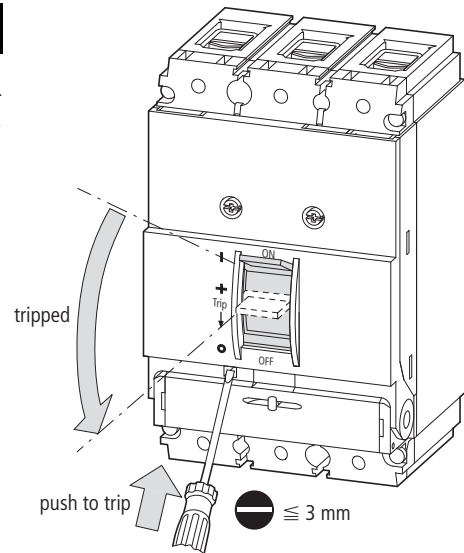
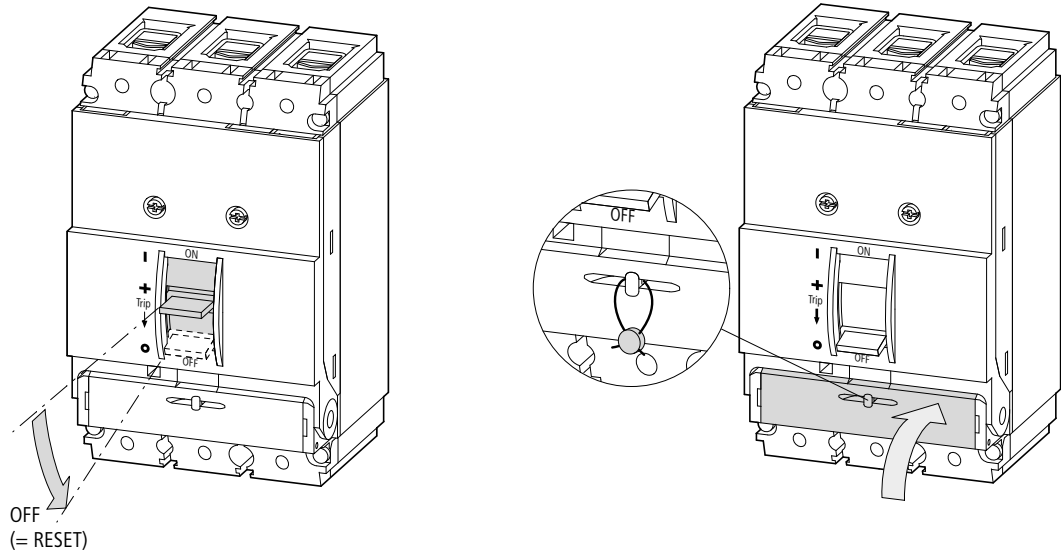
4

M22-K10  
M22-K01



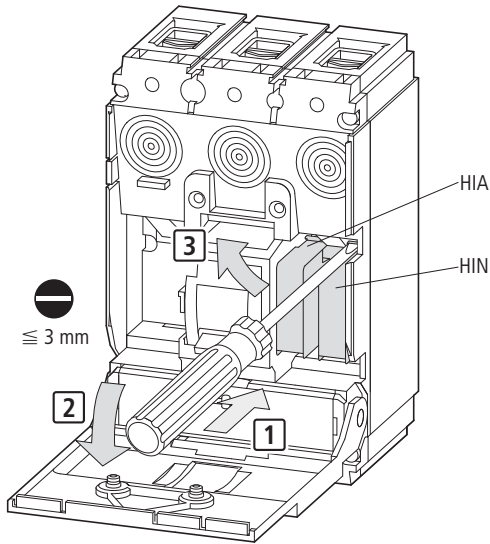
	2 x 0.75 - 2.5 mm <sup>2</sup>
	2 x AWG18 - AWG14

UL/CSA = Cu only

**4b**M22-CK10  
M22-CK01**4c**M22-CK11 M22-CK02  
M22-CK20**5****TEST 1****TEST 2**~~PN1~~**TEST 3**~~PN1~~

11/15 IL01203004Z

Einklappseite: 17 mm Beschnitt



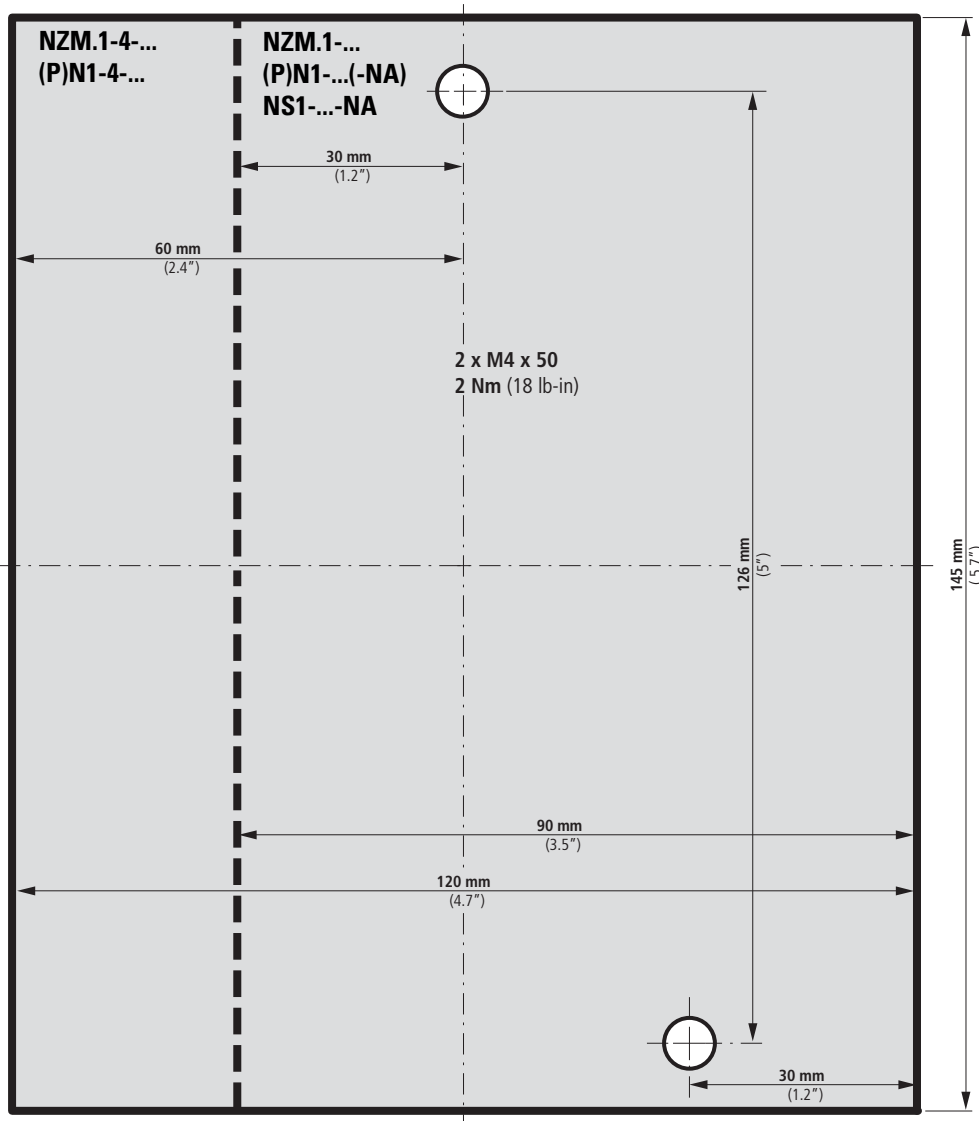
**Wiring terminations circuit breaker type NZM...1...-NA (CNA)**

**Wiring terminations molded case switch type N(S)1...-NA**

Connector Type	Wire size	Wire 75° C	Max. A-Rating	Tightening-Torque
1) NZM1-XKC	1 x AWG 2/0 - 12	Cu only	125	9 Nm (80 lb-in) 6 Nm (53 lb-in) (AWG 8 - 12)
NZM1-XKA	1 x AWG 3/0 - 6	Cu only	125	15 Nm (133 lb-in)
NZM1-XKS	1 x AWG 2/0 - 8	Cu only	125	9 Nm (80 lb-in)
2) Integrated Auxiliary Terminal	1 x AWG 12 - 18	Cu only		1.2 Nm (11 lb-in)

- 1) Connector Type NZM1-XKC supplied standard on all NZM1 circuit breakers and switches.
- 2) Integrated Auxiliary Terminal on Connector Type NZM1-XKA only.

Einklappseite: 17 mm Beschmitt



11/15 IL01203004Z