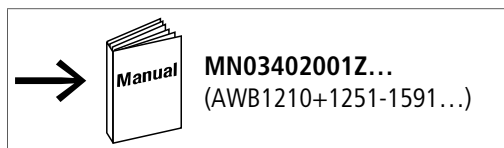
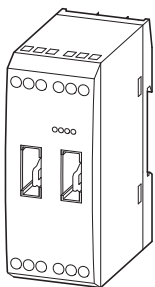


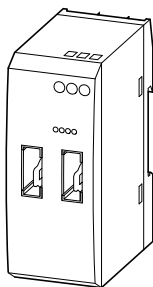
SWIRE-DIL, SWIRE-PF, SWIRE-4DI-2DO-R



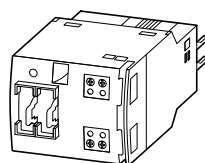
SWIRE-4DI-2DO-R



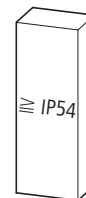
SWIRE-PF



SWIRE-DIL



	SWIRE-4DI-2DO-R	SWIRE-PF	SWIRE-DIL
0.6 x 3.5			
mm ²	0.5 - 1.5	0.5 - 1.5	0.5 - 1.5
mm ²	0.5 - 1.5	0.5 - 1.5	0.5 - 1.5
	AWG22 - AWG16	AWG22 - AWG16	AWG22 - AWG16
	0.6 Nm (5.3 lb-in)	0.6 Nm (5.3 lb-in)	0.5 Nm (4.4 lb-in)



(en) **Electric current! Danger to life!**

Only skilled or instructed persons may carry out the following operations.

(de) **Lebensgefahr durch elektrischen Strom!**

Nur Elektrofachkräfte und elektrotechnisch unterwiesene Personen dürfen die im Folgenden beschriebenen Arbeiten ausführen.

(fr) **Tension électrique dangereuse !**

Seules les personnes qualifiées et averties doivent exécuter les travaux ci-après.

(es) **¡Corriente eléctrica! ¡Peligro de muerte!**

El trabajo a continuación descrito debe ser realizado por personas cualificadas y advertidas.

(it) **Tensione elettrica: Pericolo di morte!**

Solo persone abilitate e qualificate possono eseguire le operazioni di seguito riportate.

(zh) **触电危险!**

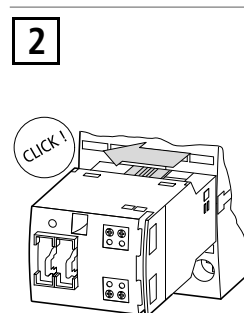
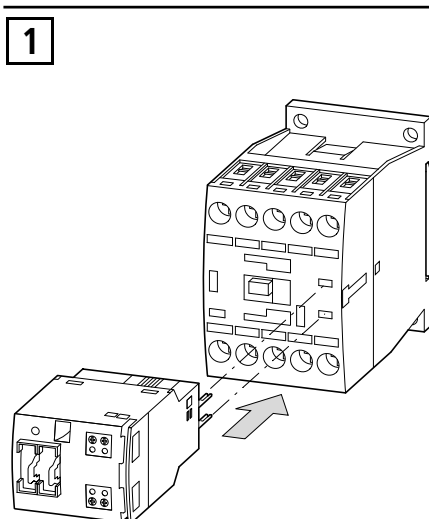
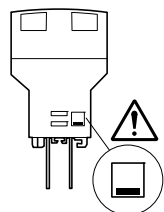
只允许专业人员和受过专业训练的人员进行下列工作。

(ru) **Электрический ток! Опасно для жизни!**

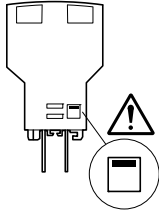
Только специалисты или проинструктированные лица могут выполнять следующие операции.

(en) Mounting – (de) Montage – (fr) Montage – (es) Montaje – (it) Montaggio – (zh) 安装 – (ru) Монтаж

SWIRE-DIL
DILA, DILM7, DILM9
DILM12, DILM15
XTRE10...TD
XTCE007...TD
XTCE009...TD
XTCE012...TD
XTCE015...TD



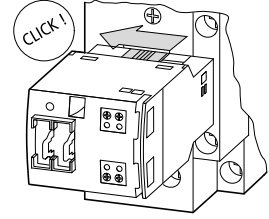
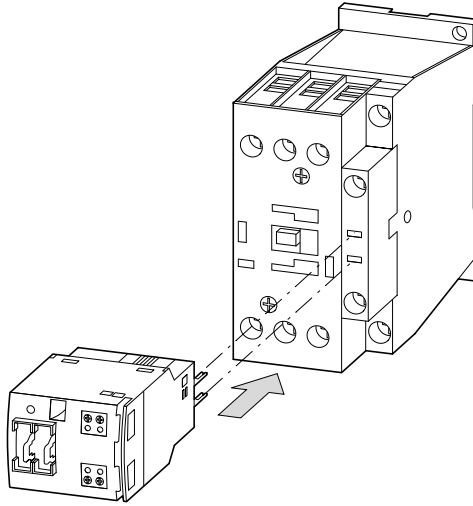
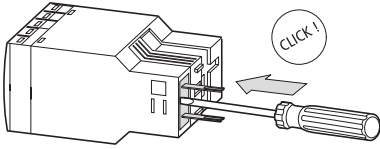
DILM17
DILM25
DILM32
DILM38
XTCE018...TD
XTCE025...TD
XTCE032...TD
XTCE038...TD



2

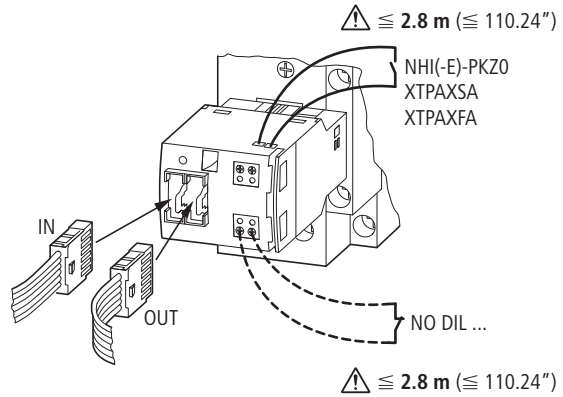
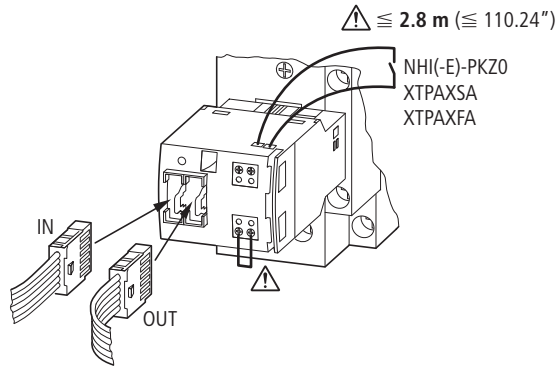
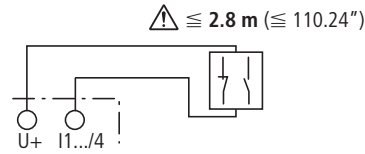
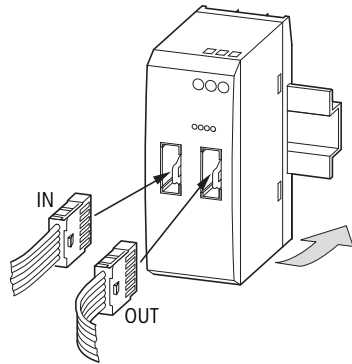
3

1

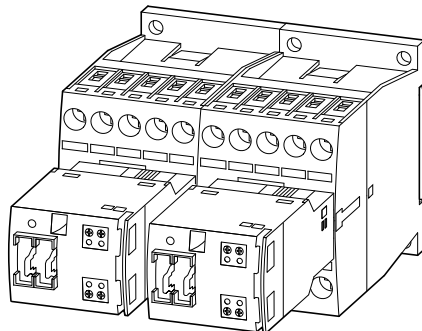


SWIRE-4DI-2DO-R,
SWIRE-PF

SWIRE-4DI-2DO-R

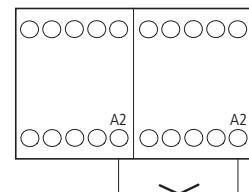


en Reversing starter
de Wendestarter
fr Démarreur-inverseur
es Combinación de arrancadores inversores
it Teleinvertitore
zh 可逆起动器
ru Реверсирующий стартер



~~DILM12-XRL~~
~~PKZM0-XRM12~~
~~DIULM7~~
~~DIULM9~~
~~DIULM12~~

~~XTCEXRLB~~
~~XTRAXPCRB~~
~~XTCR007...TD~~
~~XTCR009...TD~~
~~XTCR012...TD~~



~~DILM12-XRA2, XTCEXRBB~~

DILM12-XR, XTCEXRBB-OA2 ✓
DILM32-XRL, XTCEXRLLC ✓