

P5-125(160)(250)(315)/Z

P5-125(160)(250)(315)/V/SVB/HI10

P5-125(160)(250)(315)/V/SVB/N

P5-125(160)(250)(315)/V/SVB-SW/HI10

P5-125(160)(250)(315)/V/SVB-SW/N

P5-160/V/SVB-SW/N-SCM

P5-160/V/SVB-SW-SCM



(en) Mounting in enclosures:
 Fit the switch off centre. Cover must only be mountable in one position.

- (de)** Bei Einbau in Gehäuse:
 Schalter außermittig anbringen. Deckel darf nur in einer Position montierbar sein.
- (fr)** En cas de montage dans un coffret:
 Monter le commutateur légèrement en dehors de la position centrale.
 Le couvercle ne doit pouvoir être fixé que dans une seule position.
- (es)** Montaje en cajas:
 El interruptor ha de instalarse en una posición descentrada.
 La tapa ha de ser montada en una sola posición.
- (it)** Montaggio in una custodia:
 Non posizionare l'interruttore al centro. Il coperchio può essere montato solo in una posizione.
- (zh)** 安装在壳体内部时:
 开关要偏离中心安装。
 只能在一个位置上安装盖子。
- (ru)** При монтаже в квадратные корпуса:
 Выключатель устанавливать эксцентрично.
 Крышка должна устанавливаться только в одном положении.



(en) Electric current! Danger to life!

Only skilled or instructed persons may carry out the following operations.

(de) Lebensgefahr durch elektrischen Strom!

Nur Elektrofachkräfte und elektrotechnisch unterwiesene Personen dürfen die im Folgenden beschriebenen Arbeiten ausführen.

(fr) Tension électrique dangereuse !

Seules les personnes qualifiées et averties doivent exécuter les travaux ci-après.

(es) ¡Corriente eléctrica! ¡Peligro de muerte!

El trabajo a continuación descrito debe ser realizado por personas cualificadas y advertidas.

(it) Tensione elettrica: Pericolo di morte!

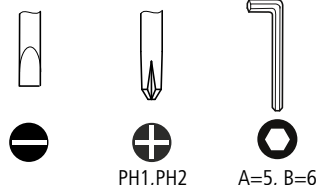
Solo persone abilitate e qualificate possono eseguire le operazioni di seguito riportate.

(zh) 触电危险!

只允许专业人员和受过专业训练的人员进行下列工作。

(ru) Электрический ток! Опасно для жизни!

Только специалисты или проинструктированные лица могут выполнять следующие операции.



P5-125(160)(250)(315)/Z



1L1	○	0	1
1L2	○	○	○
1L3	○	○	○
1L4	○	○	○
1L5	○	○	○
1L6	○	○	○
1L7	○	○	○
1L8	○	○	○
1L9	○	○	○
1L10	○	○	○
1L11	○	○	○
1L12	○	○	○
1L13	○	○	○
1L14	○	○	○
1L15	○	○	○
1L16	○	○	○
1L17	○	○	○
1L18	○	○	○
1L19	○	○	○
1L20	○	○	○

P5-125/..., P5-160/... A

P5-250/..., P5-315/... B

UL60947-4-1, UL508

Temperature rating of wire 75°C

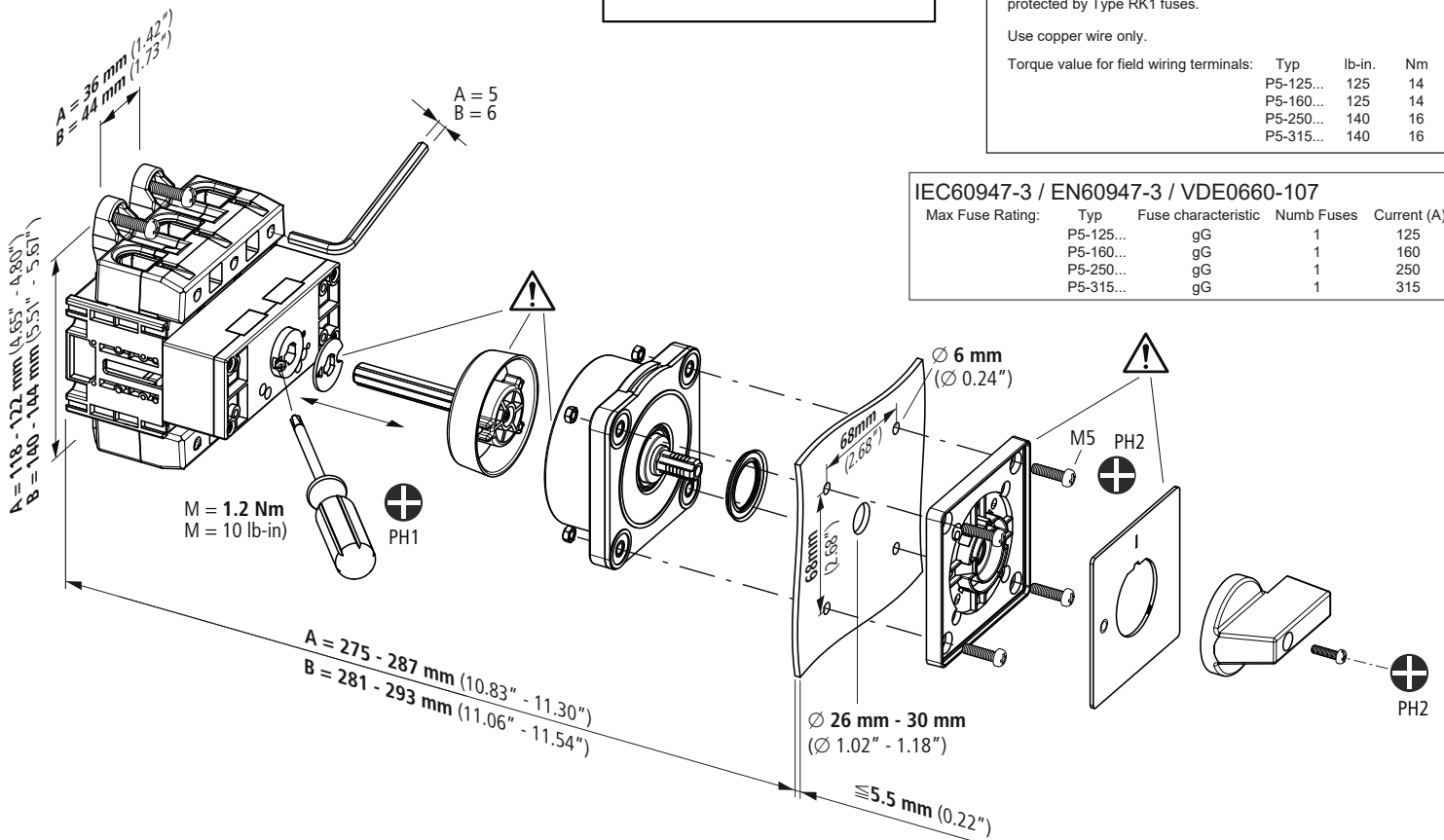
These devices are suitable for use on circuits capable of delivering not more than 10kA rms symmetrical amperes 600V ac max. when protected by Type RK1 fuses.

Use copper wire only.

Torque value for field wiring terminals:	Typ	lb-in.	Nm
P5-125...		125	14
P5-160...		125	14
P5-250...		140	16
P5-315...		140	16

IEC60947-3 / EN60947-3 / VDE0660-107

Max Fuse Rating:	Typ	Fuse characteristic	Numb Fuses	Current (A)
P5-125...		gG	1	125
P5-160...		gG	1	160
P5-250...		gG	1	250
P5-315...		gG	1	315



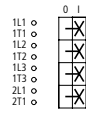
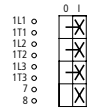
P5-125(160)(250)(315)/V/SVB,
P5-125(160)(250)(315)/V/SVB-SW,
P5-160/V/SVB-SW-SCM



P5-125(160)(250)(315)/V/SVB/N,
P5-125(160)(250)(315)/V/SVB-SW/N,
P5-160/V/SVB-SW/N-SCM



P5-125(160)(250)(315)/V/SVB-SW/Hi10,
P5-125(160)(250)(315)/V/SVB/Hi10

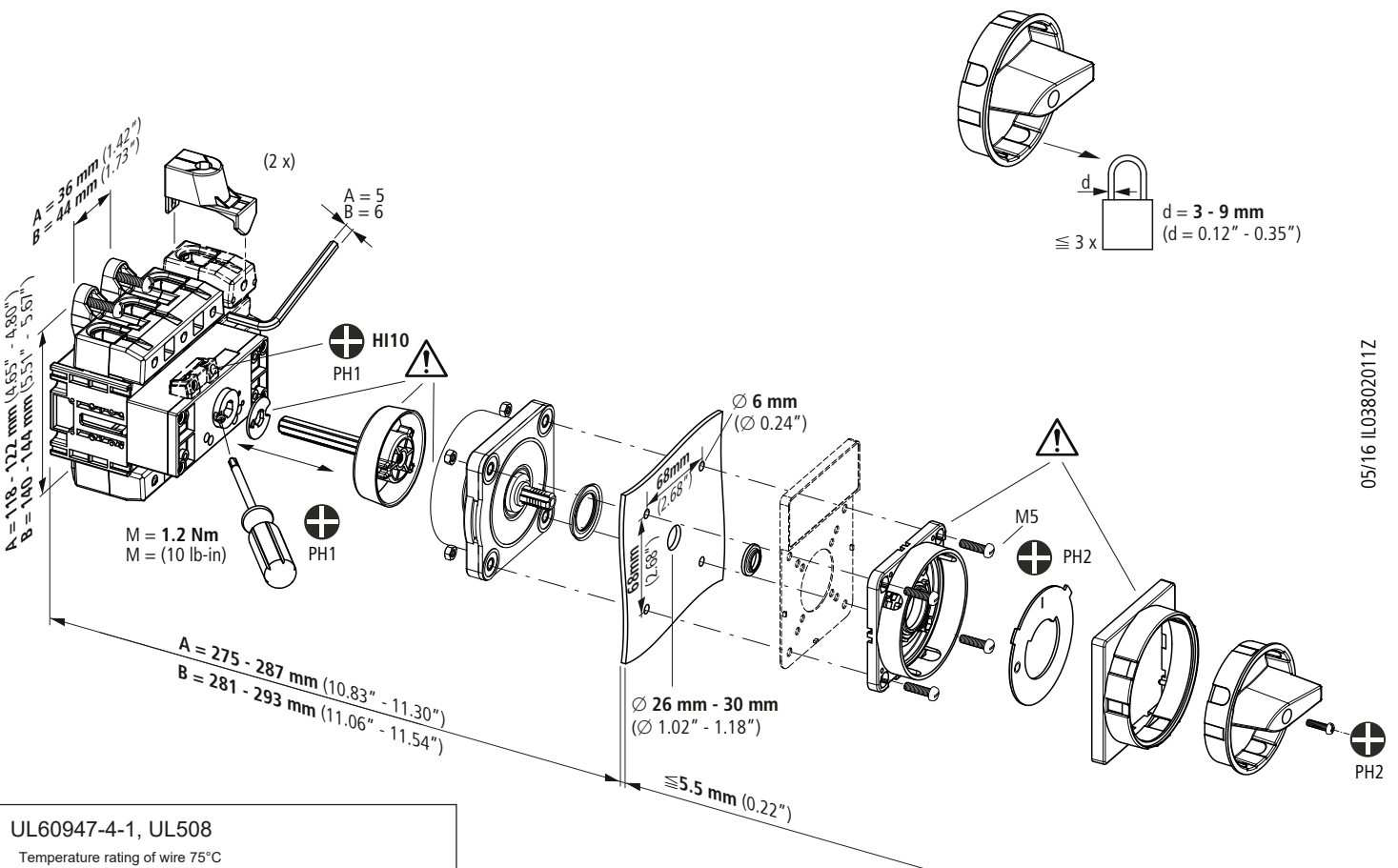


P5-125/..., P5-160/...

A

P5-250/..., P5-315/...

B



05/16 IL03802011Z

UL60947-4-1, UL508

Temperature rating of wire 75°C

These devices are suitable for use on circuits capable of delivering not more than 10kA rms symmetrical amperes 600V ac max. when protected by Type RK1 fuses.

Use copper wire only.

Torque value for field wiring terminals:	Typ	lb-in.	Nm
	P5-125...	125	14
	P5-160...	125	14
	P5-250...	140	16
	P5-315...	140	16

IEC60947-3 / EN60947-3 / VDE0660-107

Max Fuse Rating:	Typ	Fuse characteristic	Numb Fuses	Current (A)
	P5-125...	gG	1	125
	P5-160...	gG	1	160
	P5-250...	gG	1	250
	P5-315...	gG	1	315

HI...P5

	0.5 - 2.5 mm ²
	0.75 - 2.5 mm ²
Torque	0.8 Nm (7.0 lb-in)

P5-125(160)/EA/SVB...

P5-250(315)/EA/SVB...

	1 x 70 mm ²	1 x 150 mm ²
	2 x 25 mm ²	2 x 50 mm ²
	1 x 95 mm ²	1 x 185 mm ²
	2 x 35 mm ²	2 x 70 mm ²
	1 x 13 x 3	1 x 20 x 5
	2 x 13 x 1.5	2 x 20 x 3
Torque	14 Nm (125 lb-in)	16 Nm (140 lb-in)