

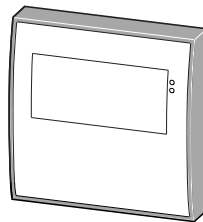
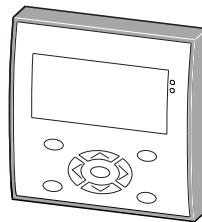


Powering Business Worldwide

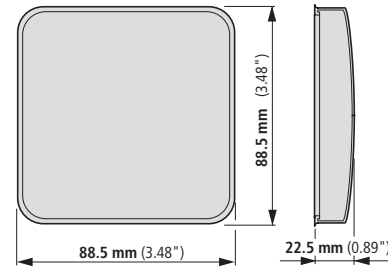
Instruction Leaflet
Montageanweisung
Notice d'installation
Instrucciones de montaje
Istruzioni per il montaggio

11/10 IL05013017Z
(AWA2528-2174)

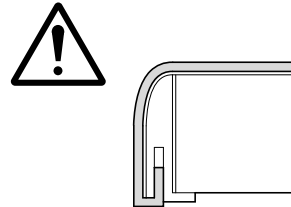
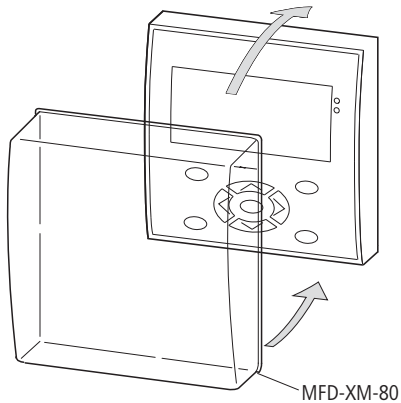
MFD-XM-80



Dimensions – Abmessungen – Dimensions –
Dimensiones – Dimensioni [mm (inch)]



**Protective diaphragm – Schutzmembrane – Membrane de protection – Membrana protectora –
Membrana di protezione**



NEMA Type 4X

Caution!

Ensure that the protective diaphragm fits snugly in the groove of the display/operating unit.

Otherwise a proper seal cannot be guaranteed and particles may enter underneath the diaphragm. This may cause malfunctions in the keypad.

In food industry applications, there is the risk of bacteria building up underneath the diaphragm.

11/10 IL05013017Z