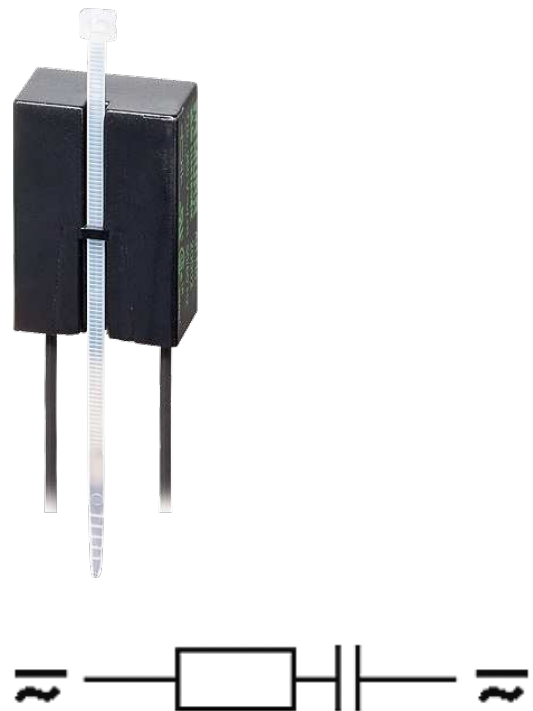


**SUPPRESSOR FOR CONTACTORS**

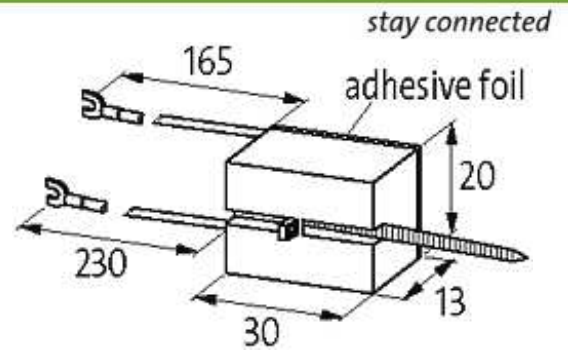
RC, 48 VAC/DC, 15 VA/W

48 V AC/DC  
RC

For other configurations and voltages, please inquire

[Link to Product](#)**Illustration**

RC



Product may differ from Image

### Approvals



### Appropriate contactors

universal

### General data

Temperature range	-20...+70 °C
Dimensions H × W × D	30×20×13 mm

### Technical Data

Max. power (W)	max. 15 W(VA)
----------------	---------------

### Commercial data

country of origin	CZ
customs tariff number	85363010
minimum order quantity	1