

## SUPPRESSOR FOR CONTACTORS

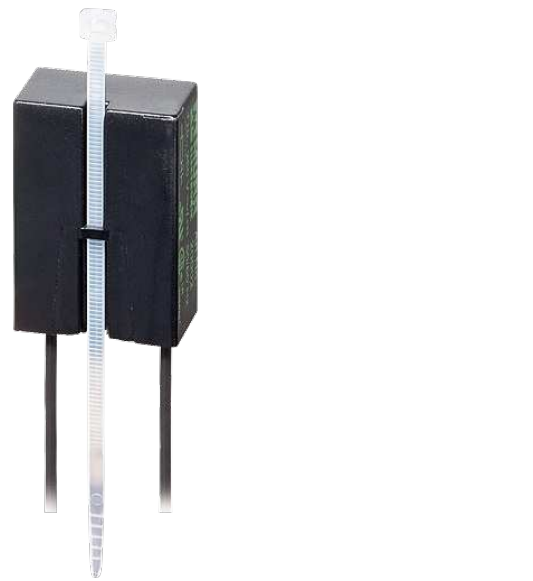
RC, 230 VAC/DC, 15 VA/W

230 V AC/DC  
RC

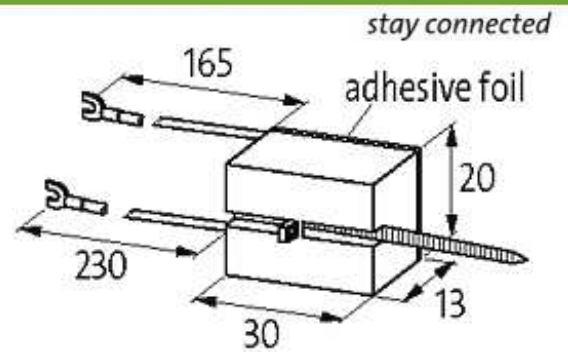
For other configurations and voltages, please inquire

### [Link to Product](#)

#### Illustration



RC



Product may differ from Image

### Approvals



### Appropriate contactors

universal

### General data

Temperature range	-20...+70 °C
Dimensions H × W × D	30×20×13 mm

### Technical Data

Max. power (W)	15 W(VA)
----------------	----------

### Commercial data

country of origin	CZ
customs tariff number	85363010
minimum order quantity	1