

MOELLER CONTACTOR SUPPRESSOR

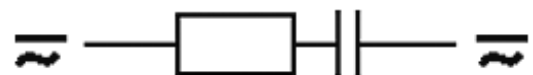
RC, 110/230VAC

110 V AC/DC

230 V AC/DC

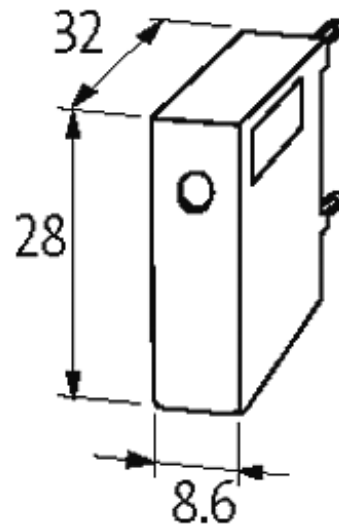
RC

LED displays for 24 V DC without suppression available on request.

[Link to Product](#)**Illustration**

RC

stay connected



Product may differ from Image

Approvals



Appropriate contactors

DIL M17...32

XTCE018C...032C

General data

Dimensions H × W × D 28×8.6×32 mm

Temperature range -20...+70 °C

Technical Data

Damping factor approx. 1.5 × UN

Material Flame retardant plastic acc. to (UL 94)

Connection wires Plug contact

Commercial data

country of origin DE

customs tariff number 85363010

minimum order quantity 1