

**MOELLER CONTACTOR SUPPRESSOR**

RC, 110/230VAC

110 V AC/DC

230 V AC/DC

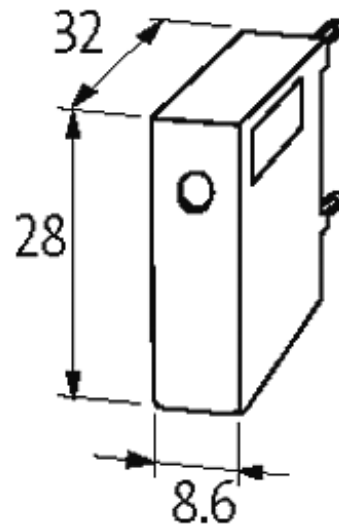
RC

LED displays for 24 V DC without suppression available on request.

[Link to Product](#)**Illustration**

RC

stay connected



Product may differ from Image

### Approvals



### Appropriate contactors

DIL M40...95

XTCE040D...095F

### General data

Dimensions H × W × D 28×8.6×32 mm

Temperature range -20...+70 °C

### Technical Data

Damping factor approx. 1.5 × UN

Material Flame retardant plastic acc. to (UL 94)

Connection wires Plug contact

### Commercial data

country of origin DE

customs tariff number 85363010

minimum order quantity 1