

UNIVERSAL CONTACTOR SUPPRESSOR

RC, 48VDC15VA/W

48 V AC/DC
RC

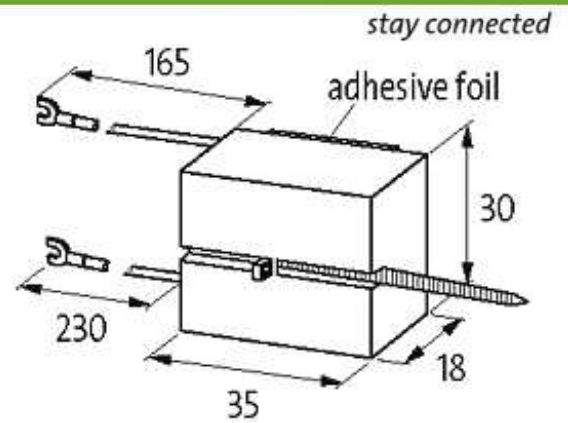
For other configurations and voltages, please inquire

[Link to Product](#)

Illustration



RC



Product may differ from Image

Approvals



Appropriate contactors

universal

General data

Temperature range	-20...+70 °C
Dimensions H × W × D	35×30×18 mm

Technical Data

Max. power (W)	15 W(VA)
----------------	----------

Commercial data

country of origin	CZ
customs tariff number	85363010
minimum order quantity	1