

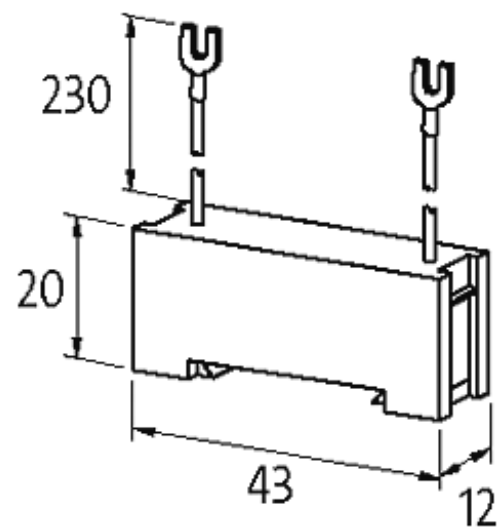
**SUPPRESSOR FOR CONTACTORS**

RC, 230 VAC/DC, 25 VAW

230 V AC/DC

RC

For other configurations and voltages, please inquire

[Link to Product](#)**Illustration**



RC

Product may differ from Image

### Approvals



### Appropriate contactors

universal

### General data

Temperature range -20...+70 °C

Dimensions H × W × D 20×43×12 mm

### Technical Data

Max. power (W) 25 W(VA)

### Commercial data

country of origin CZ

customs tariff number 85363010

minimum order quantity 1