

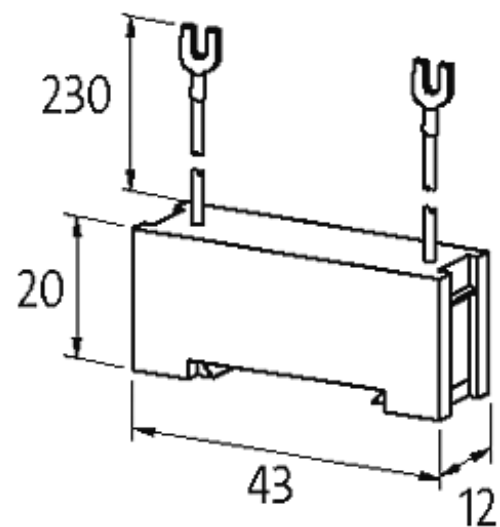
UNIVERSAL CONTACTOR SUPPRESSOR

RC, 230VAC/DC/25VA/W

230 V AC/DC

RC

For other configurations and voltages, please inquire

[Link to Product](#)**Illustration**



RC

Product may differ from Image

Approvals



Appropriate contactors

universal

General data

Temperature range -20...+70 °C

Dimensions H x W x D 20x43x12 mm

Technical Data

Max. power (W) 25 W(VA)

Commercial data

country of origin CZ

customs tariff number 85363010

minimum order quantity 1