

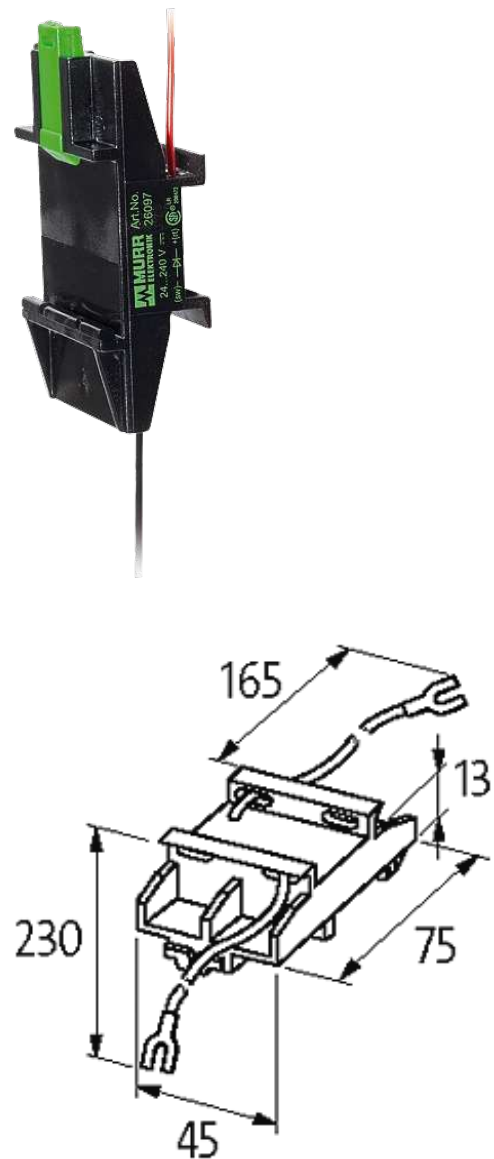
**UNIVERSAL CONTACTOR SUPPRESSOR**

RC, 230VAC/DC/25VA/W

230 V AC/DC

RC

For other configurations and voltages, please inquire

[Link to Product](#)**Illustration**



RC

Product may differ from Image

### Approvals



### Appropriate contactors

universal

### General data

Mounting method	DIN-rail mountable (EN 60715)
Temperature range	-20...+70 °C
Dimensions H × W × D	45×75×13 mm

### Technical Data

Max. power (W)	25 W(VA)
----------------	----------

### Commercial data

country of origin	CZ
customs tariff number	85363010
minimum order quantity	1