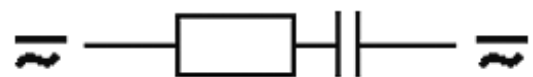


**SUPPRESSOR FOR CONTACTORS**

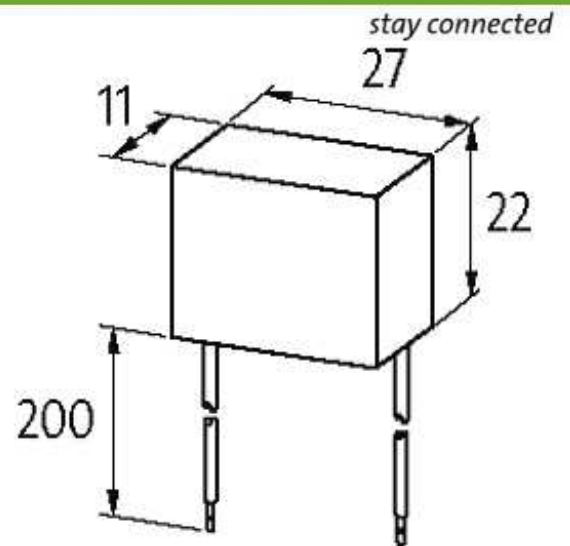
RC, 24 VAC/DC, 20 VA/W

24 V AC/DC  
RC

For other configurations and voltages, please inquire

[Link to Product](#)**Illustration**

RC



Product may differ from Image

### Approvals



### Appropriate contactors

universal

### General data

Temperature range	-20...+70 °C
Dimensions H × W × D	22×27×11 mm

### Technical Data

Max. power (W)	20 W(VA)
----------------	----------

### Commercial data

country of origin	CZ
customs tariff number	85363010
minimum order quantity	1