

TELEMECANIQUE CONTACTOR SUPPRESSOR

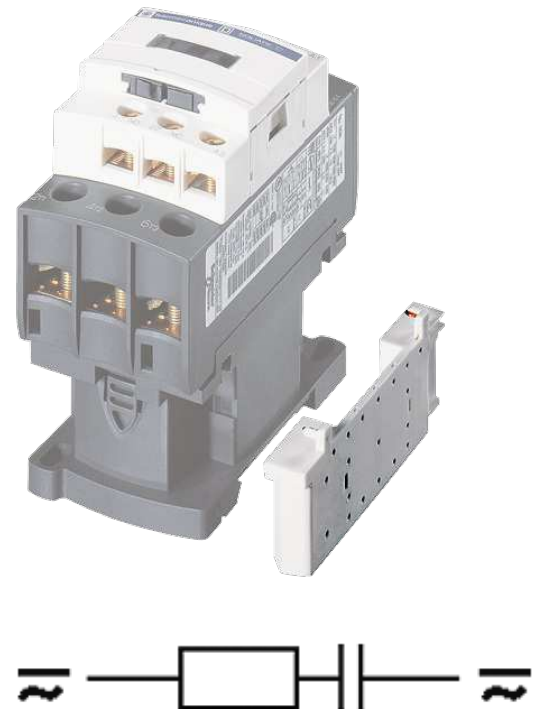
RC, 110/230VAC

110 V AC/DC

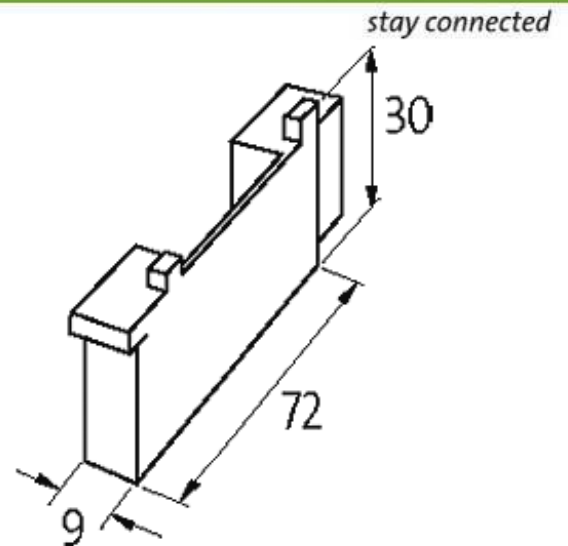
230 V AC/DC

RC

For other configurations and voltages, please inquire

[Link to Product](#)**Illustration**

RC



Product may differ from Image

Appropriate contactors

LC 1 D09...D38, LC 1 DT20, DT40, LC 2 D09...D38

General data

| | |
|----------------------|--------------|
| Temperature range | -20...+70 °C |
| Dimensions H × W × D | 30×72×9 mm |

Commercial data

| | |
|------------------------|----------|
| country of origin | FR |
| customs tariff number | 85363010 |
| minimum order quantity | 1 |