

ALLEN-BRADLEY CONTACTOR SUPPRESSOR

RC, 240VAC/DC

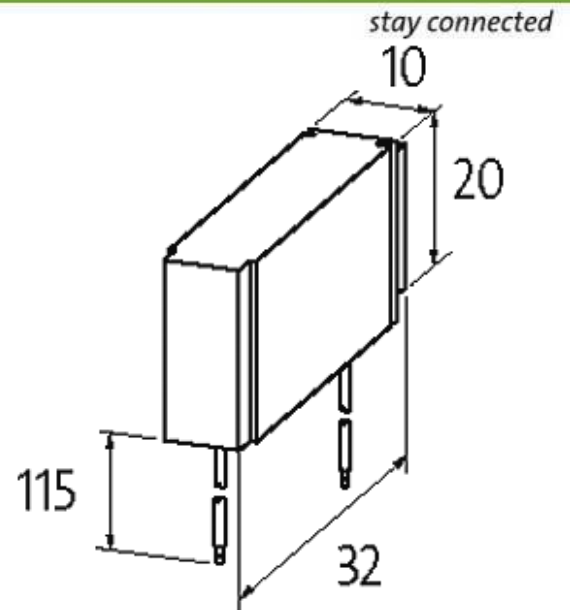
230 V AC/DC

RC

For other configurations and voltages, please inquire

[Link to Product](#)**Illustration**

RC



Product may differ from Image

Approvals



Appropriate contactors

100-M

General data

Dimensions H × W × D	20×10×32 mm
Temperature range	-20...+70 °C

Technical Data

Damping factor	approx. 1.5 × UN
Material	Flame retardant plastic acc. to (UL 94)
Connection wires	flexible connection wires

Commercial data

country of origin	CZ
customs tariff number	85363010
minimum order quantity	1