

ABB CONTACTOR SUPPRESSOR

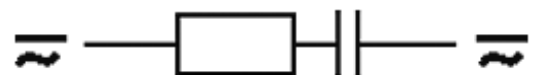
RC, 110VAC/DC

110 V AC/DC

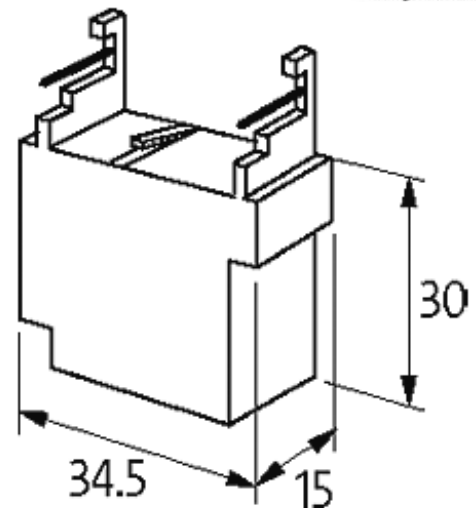
230 V AC/DC

RC

For other configurations and voltages, please inquire

[Link to Product](#)**Illustration**

RC



Product may differ from Image

Approvals



Appropriate contactors

A 9...A 16

General data

Dimensions H × W × D 40×34.5×15 mm

Temperature range -20...+70 °C

Technical Data

Damping factor approx. 1.5 × UN

Connection wires Plug contact

Material Flame retardant plastic acc. to (UL 94)

Commercial data

country of origin CZ

customs tariff number 85363010

minimum order quantity 1