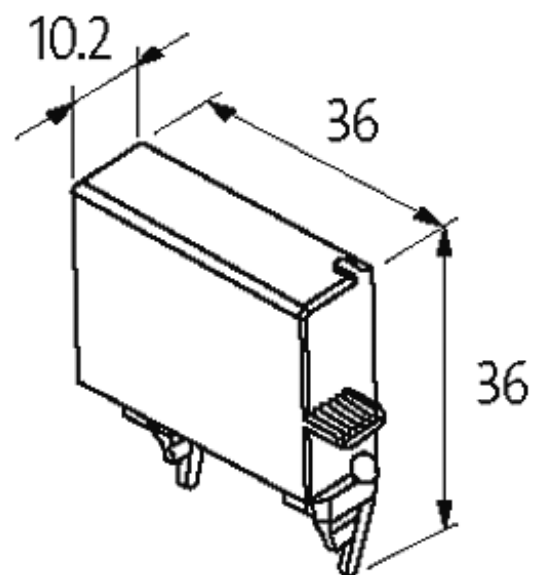
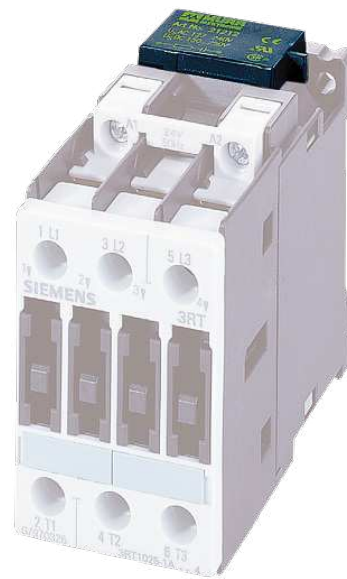


SIEMENS CONTACTOR SUPPRESSOR

RC, 24VDC

24 V AC/DC
RC

For other configurations and voltages, please inquire

[Link to Product](#)**Illustration**



RC

Product may differ from Image

Approvals



Appropriate contactors

3 RT 10.24/25/26

General data

Temperature range	-20...+70 °C
Dimensions H × W × D	36×36×10.2 mm

Commercial data

country of origin	CZ
customs tariff number	85363010
minimum order quantity	1