

**SUPPRESSOR FOR SIEMENS CONTACTOR**

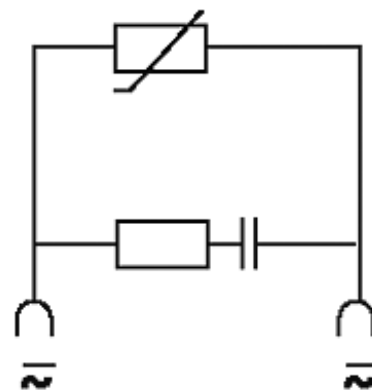
VDR+RC, 24...48 VAC/DC, 20 VAW

24 V AC/DC

48 V AC/DC

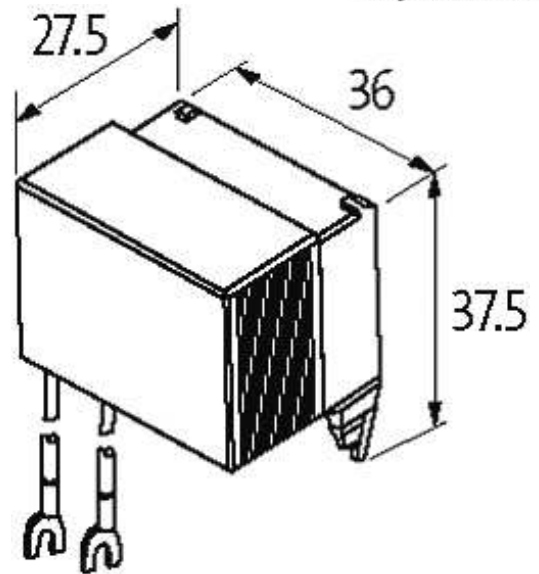
RC + Varistor

For other configurations and voltages, please inquire

**[Link to Product](#)****Illustration**

VDR-RC

stay connected



Product may differ from Image

### Appropriate contactors

3 RT 1.5/6/7

### General data

Temperature range	-20...+70 °C
Dimensions H × W × D	37.5×36×27.5 mm

### Technical Data

Damping factor	approx. 1.5 × UN
Material	Flame retardant plastic acc. to (UL 94)
Connection wires	45 mm with cable forks

### Commercial data

country of origin	CZ
customs tariff number	85363010
minimum order quantity	1