

SIEMENS CONTACTOR SUPPRESSOR

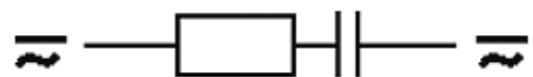
RC, 230VAC/DC

230 V AC/DC
RC

For other configurations and voltages, please inquire

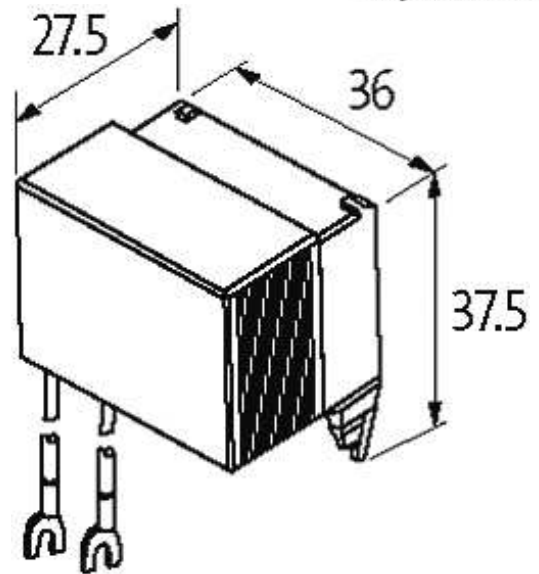
[Link to Product](#)

Illustration



RC

stay connected



Product may differ from Image

Appropriate contactors

3 RT 1.5/6/7

General data

Temperature range	-20...+70 °C
Dimensions H × W × D	37.5×36×27.5 mm

Technical Data

Damping factor	approx. 1.5 × UN
Material	Flame retardant plastic acc. to (UL 94)
Connection wires	45 mm with cable forks

Commercial data

country of origin	CZ
customs tariff number	85363010
minimum order quantity	1