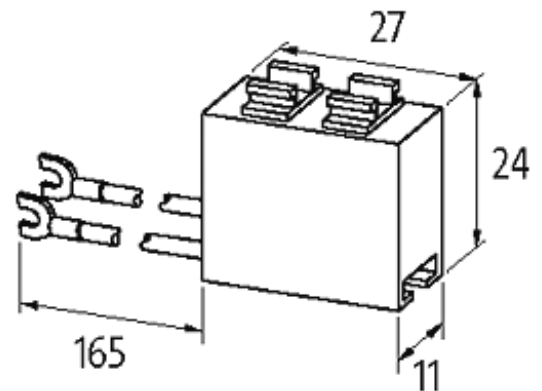


SIEMENS CONTACTOR SUPPRESSOR

RC, 24/48VDC

[Link to Product](#)**Illustration**

RC

Product may differ from Image

Appropriate contactors

The information in this brochure has been compiled with the utmost care.

Liability for the correctness completeness and topicality of the information is restricted to gross negligence. Version: 05/16

Murrelektronik GmbH | Falkenstraße 3, 71570 Oppenweiler | Fon +49 (71 91) 47-0, Fax +49 (71 91) 47-491000 | shop@murrelektronik.com | shop.murrelektronik.com

3 TH 3/4/8; 3 TF 30...45; 3 TB 40...3 TB 44

General data

Temperature range -20...+70 °C

Technical Data

Damping factor approx. 1.5 × UN

Material Flame retardant plastic acc. to (UL 94)

Connection wires self-securing cable forks

Commercial data

country of origin CZ

customs tariff number 85363010

minimum order quantity 1