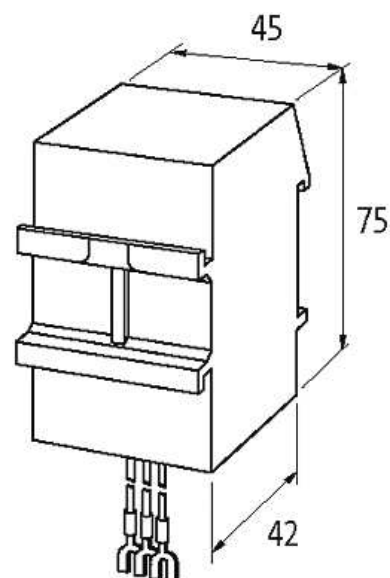


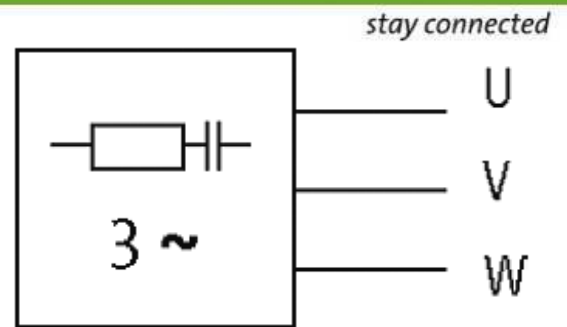
**MOTOR SUPPRESSOR**

RC, 3x500VAC/4kW

3 × 500 V AC +10 %  
RC

Suppressors for other voltages, frequencies, and motor ratings available on request. Do not use RC motor suppressors with frequency inverters. 3 × 500 V AC +10 %

[Link to Product](#)**Illustration**



RC

Product may differ from Image

### Approvals



### General data

Dimensions H × W × D	75×45×42 mm
Temperature range	-20...+60 °C
Connection	approx. 300 mm, single cores 1.5 mm <sup>2</sup> , with self-securing fork terminal ends M4

### Technical Data

Frequency	50...60 Hz
-----------	------------

### Commercial data

country of origin	CZ
customs tariff number	85363010
minimum order quantity	1