

MOTOR SUPPRESSOR

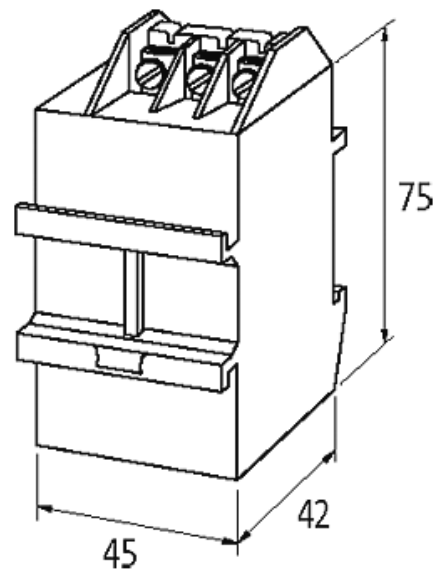
RC, 3x500VAC/4kW

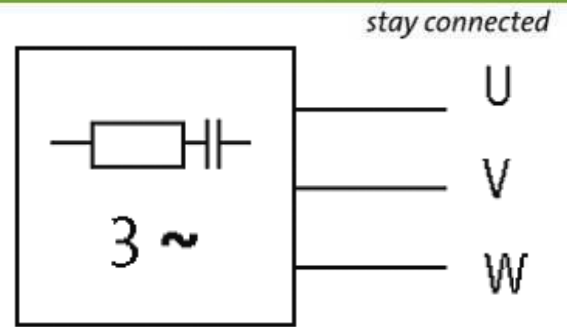
3 × 500 V AC +10 %
RC

Suppressors for other voltages, frequencies, and motor ratings available on request. Do not use RC motor suppressors with frequency inverters. 3 × 500 V AC +10 %

[Link to Product](#)

Illustration





RC

Product may differ from Image

General data

Connection	3-pole terminal, 2 × 0.75...2.5 mm ² , M4
Temperature range	-20...+60 °C
Dimensions H × W × D	75×45×42 mm

Commercial data

country of origin	CZ
customs tariff number	85363010
minimum order quantity	1