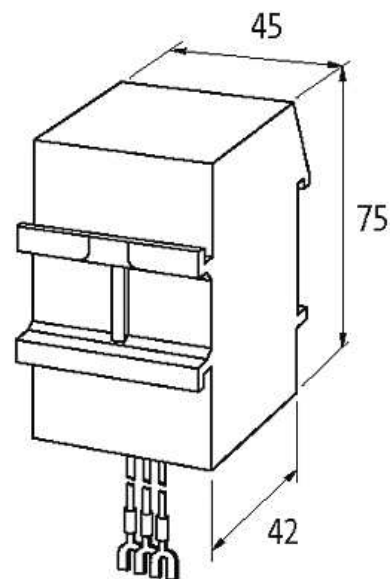


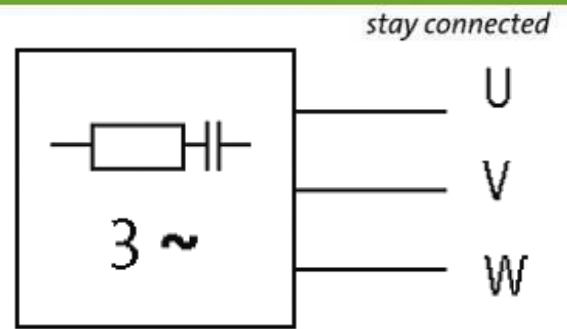
MOTOR SUPPRESSOR

RC, 3x690VAC/10kW

3 × 690 V AC
RC

Suppressors for other voltages, frequencies, and motor ratings available on request. Do not use RC motor suppressors with frequency inverters.

[Link to Product](#)**Illustration**



RC

Product may differ from Image

General data

| | |
|----------------------|---|
| Dimensions H × W × D | 75×45×42 mm |
| Temperature range | -20...+60 °C |
| Connection | approx. 250 mm, single cores 0.5 mm ² , with self-securing fork terminal ends M4 |

Technical Data

| | |
|-----------|------------|
| Frequency | 50...60 Hz |
|-----------|------------|

Commercial data

| | |
|------------------------|----------|
| country of origin | CZ |
| customs tariff number | 85363010 |
| minimum order quantity | 1 |