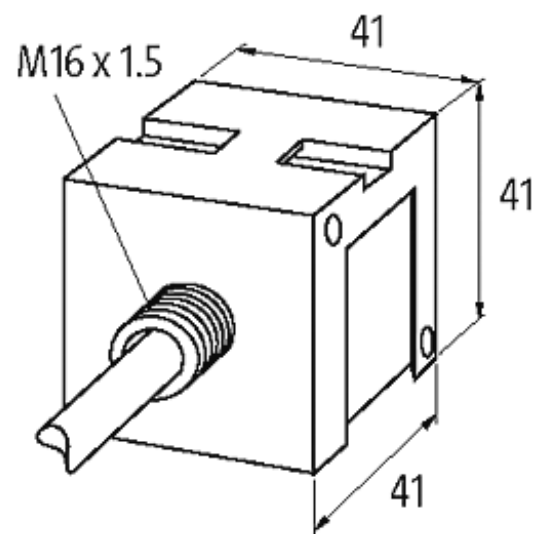


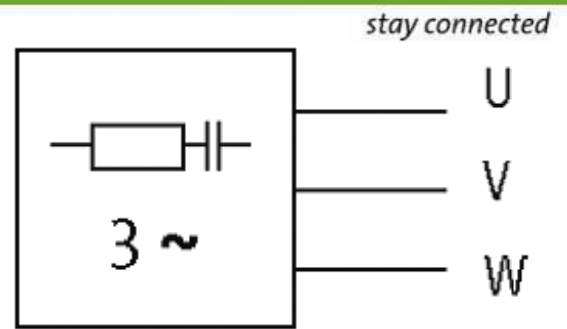
**MOTOR SUPPRESSOR**

RC, 3x400VAC/4kW

3 × 400 V AC  
RC  
PG9 (SW19)

Suppressors for other voltages, frequencies, and motor ratings available on request. Do not use RC motor suppressors with frequency inverters. For DIN-rail mounting use 2 × Art.-No. 20900 adapter feet

[Link to Product](#)**Illustration**



RC

Product may differ from Image

### General data

Temperature range	-20...+60 °C
Mounting method	DIN-rail mountable TH35 (EN 60715)
Connection	approx. 500 mm, PVC cable 3 × 0.75 mm <sup>2</sup>
Dimensions H × W × D	41×41×41 mm

### Commercial data

country of origin	CZ
customs tariff number	85363010
minimum order quantity	1