

## MOTOR SUPPRESSOR

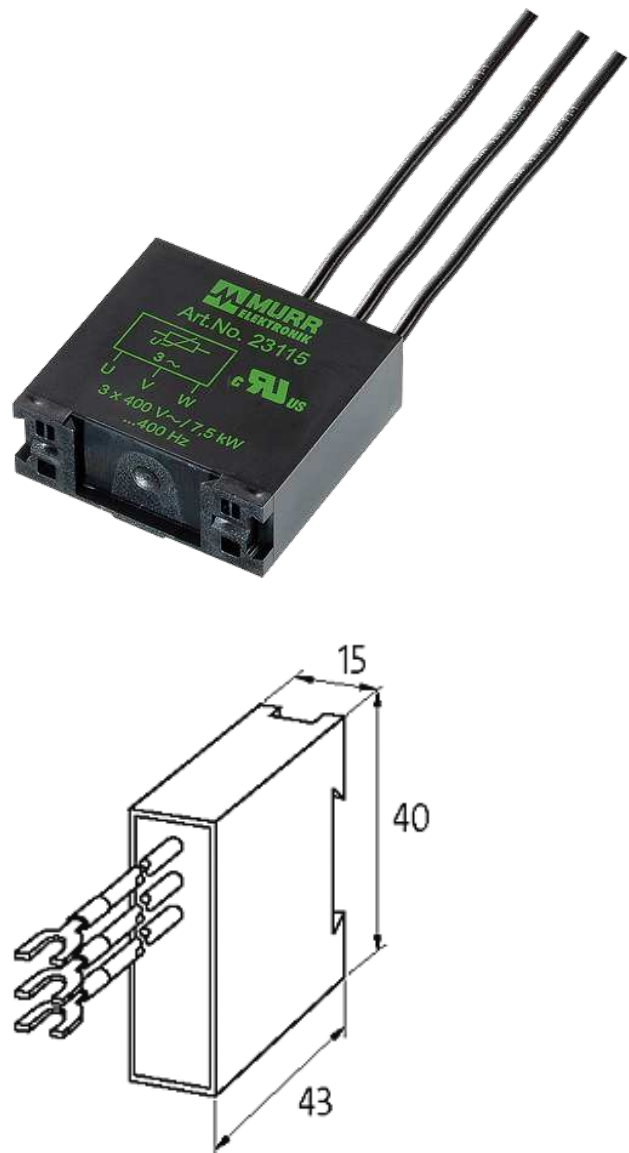
RC, 3x690VAC/4kW

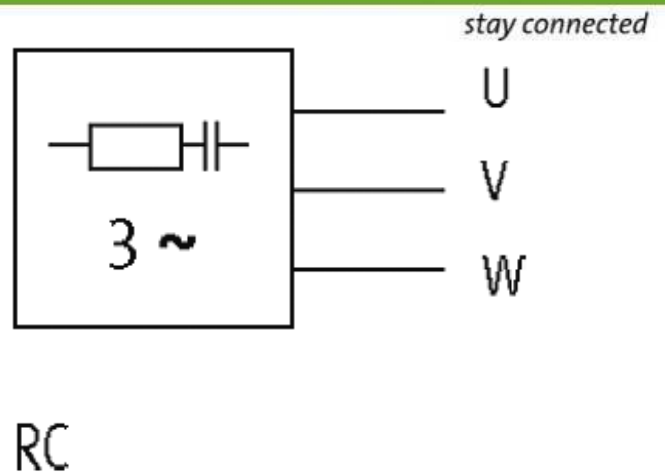
3 × 690 V AC  
RC

For DIN-rail mounting use 1 × Art.-No. 20900 adapter feet Suppressors for other voltages, frequencies, and motor ratings available on request. Do not use RC motor suppressors with frequency inverters.

### [Link to Product](#)

#### Illustration





Product may differ from Image

### Approvals



### General data

Temperature range	-20...+60 °C
Mounting method	DIN-rail mountable TH35 (EN 60715)
Connection	approx. 200 mm, single cores 0.5 mm <sup>2</sup> self-securing fork terminal ends M4
Dimensions H × W × D	43×15×40 mm

### Technical Data

Frequency	50...60 Hz
-----------	------------

### Commercial data

country of origin	CZ
customs tariff number	85363010
minimum order quantity	1