

## MOTOR SUPPRESSOR

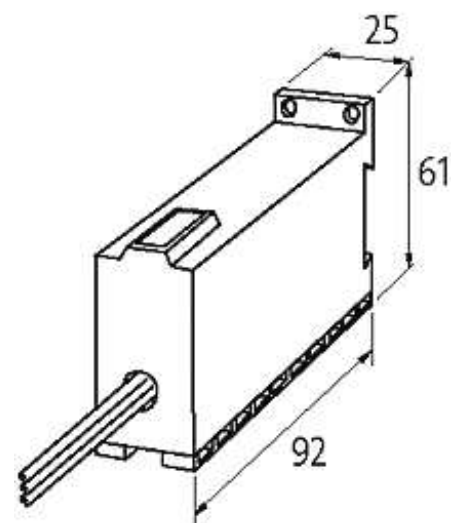
Varistor, 3x400VAC/4kW

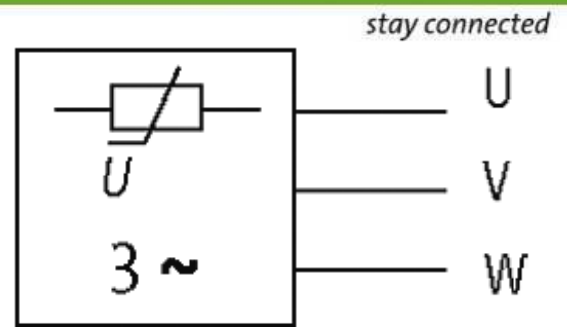
3 × 400 V AC  
VDR

For DIN-rail mounting use 2 × Art.- No. 20900 adapter feet Suppressors for other voltages, frequencies, and motor ratings available on request. Do not use RC motor suppressors with frequency inverters.

### [Link to Product](#)

#### Illustration





## VDR

Product may differ from Image

### General data

Connection	approx. 500 mm, single cores 1 mm <sup>2</sup>
Temperature range	-20...+60 °C
Mounting method	DIN-rail mountable TH35 (EN 60715)
Dimensions H × W × D	92×61×25 mm

### Technical Data

Frequency	10...400 Hz
-----------	-------------

### Commercial data

country of origin	CZ
customs tariff number	85363010
minimum order quantity	1