

**MOTOR SUPPRESSOR**

Varistor, 3x400VAC/4kW

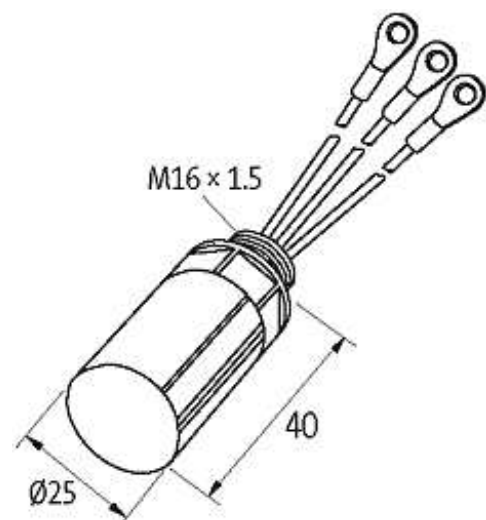
3 × 400 V AC

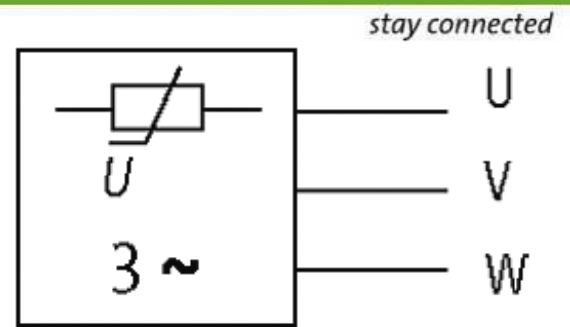
VDR

isolated M6

PG9 (SW19)

Suppressors for other voltages, frequencies, and motor ratings available on request. Do not use RC motor suppressors with frequency inverters.

[Link to Product](#)**Illustration**



VDR

Product may differ from Image

### Approvals



### General data

|                      |  |
|----------------------|--|
| Connection           | approx. 100 mm, single cores 0.5 mm <sup>2</sup> |
| Temperature range    | -20...+60 °C                                     |
| Mounting method      | on motor terminal box with plug connector        |
| Dimensions H × W × D | 25×25×40 mm                                      |

### Technical Data

|                |             |
|----------------|-------------|
| Frequency      | 10...400 Hz |
| Ring terminals | isolated M6 |

### Commercial data

|                        |          |
|------------------------|----------|
| country of origin      | CZ       |
| customs tariff number  | 85363010 |
| minimum order quantity | 1        |