

MOTOR SUPPRESSOR

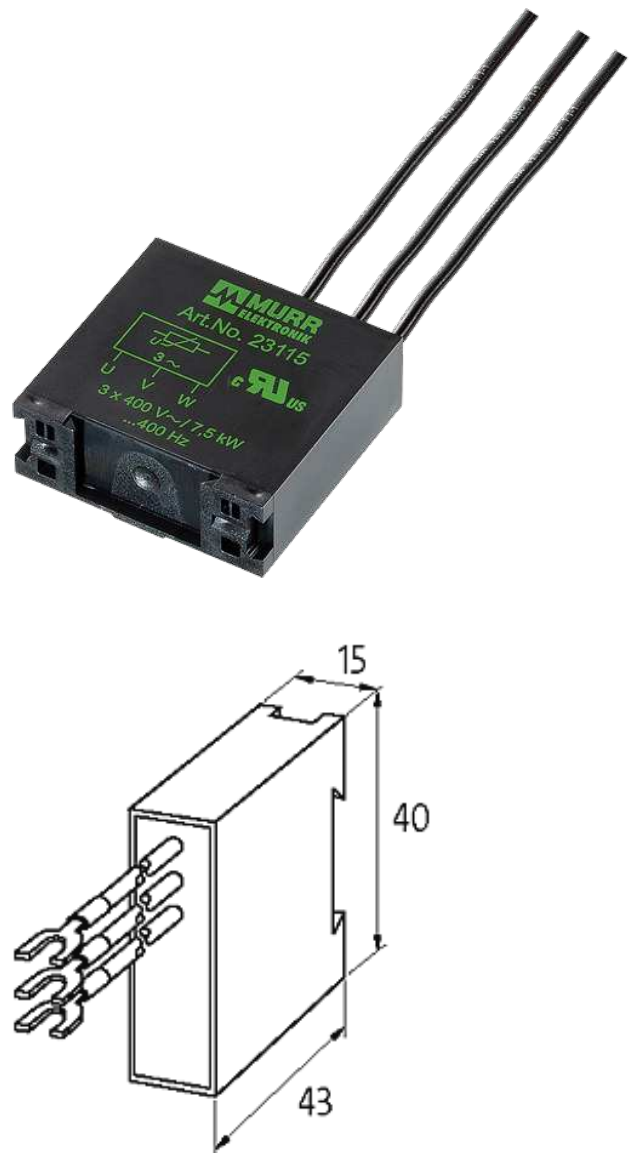
Varistor, 3x400VAC/20kW

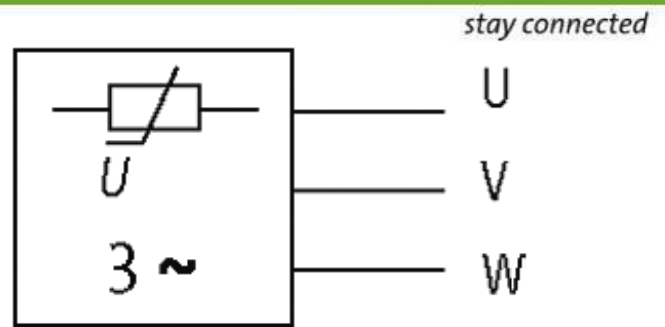
3 × 400 V AC
VDR

For DIN-rail mounting use 1 × Art.-No. 20900 adapter feet Suppressors for other voltages, frequencies, and motor ratings available on request. Do not use RC motor suppressors with frequency inverters.

[Link to Product](#)

Illustration





VDR

Product may differ from Image

Approvals



General data

Temperature range	-20...+60 °C
Mounting method	DIN-rail mountable TH35 (EN 60715)
Connection	approx. 200 mm, single cores 0.35 mm ² self-securing fork terminal ends M4
Dimensions H × W × D	43×15×40 mm

Technical Data

Frequency	10...400 Hz
-----------	-------------

Commercial data

country of origin	CZ
customs tariff number	85363010
minimum order quantity	1