

**MOTOR SUPPRESSOR**

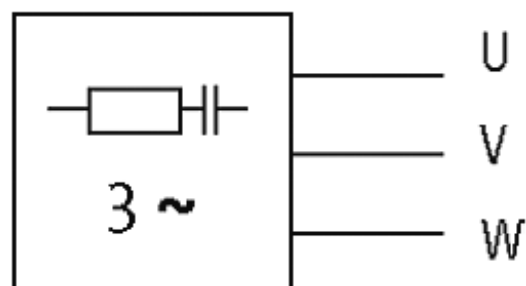
RC, 3x400...575VAC/4kW

3 × 400 V AC

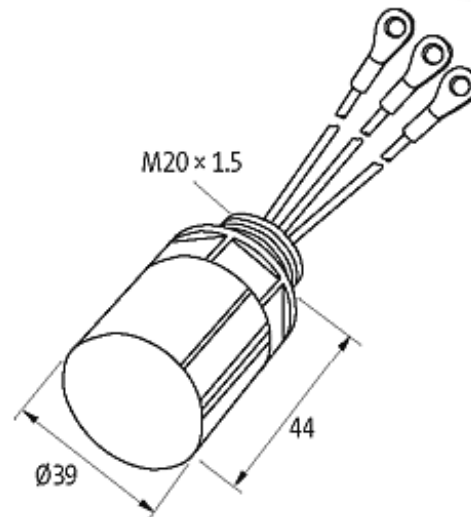
3 × 575 V AC

RC

Suppressors for other voltages, frequencies, and motor ratings available on request. Do not use RC motor suppressors with frequency inverters.

[Link to Product](#)**Illustration**

RC

*stay connected*

Product may differ from Image

### Approvals



### General data

Connection	approx. 150 mm, single cores 1 mm <sup>2</sup>
Temperature range	-20...+60 °C
Mounting method	on motor terminal box with plug connector
Dimensions H × W × D	39×39×44 mm

### Technical Data

Frequency	50...60 Hz
-----------	------------

### Commercial data

country of origin	CZ
customs tariff number	85363010
minimum order quantity	1