

SUPPRESSOR FOR MOTORS

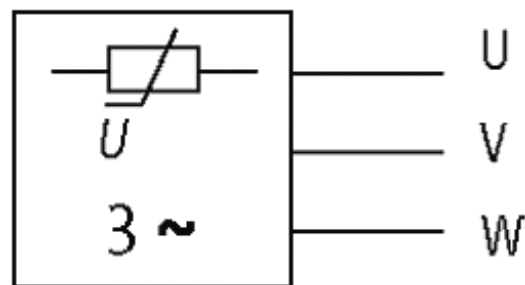
VDR, star, 3x400 VAC, 10 kW

3 × 400 V AC
VDR

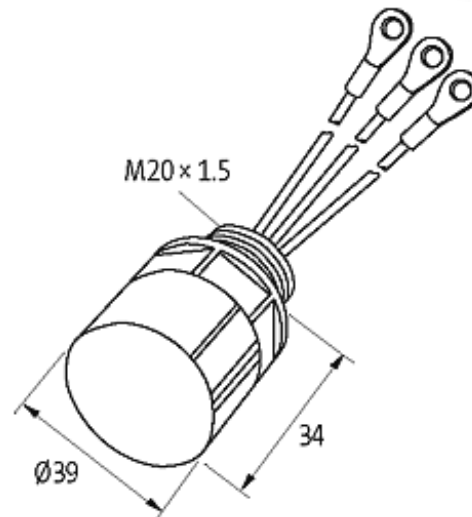
Suppressors for other voltages, frequencies, and motor ratings available on request. Do not use RC motor suppressors with frequency inverters.

[Link to Product](#)

Illustration



VDR



Product may differ from Image

General data

Connection	approx. 150 mm, single cores 1 mm ²
Temperature range	-20...+60 °C
Mounting method	on motor terminal box with plug connector
Dimensions H × W × D	39×39×44 mm

Commercial data

country of origin	CZ
customs tariff number	85363010
minimum order quantity	1