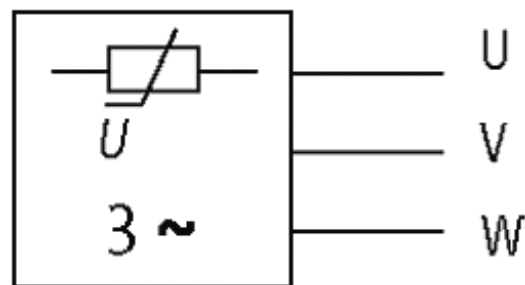


**MOTOR SUPPRESSOR**

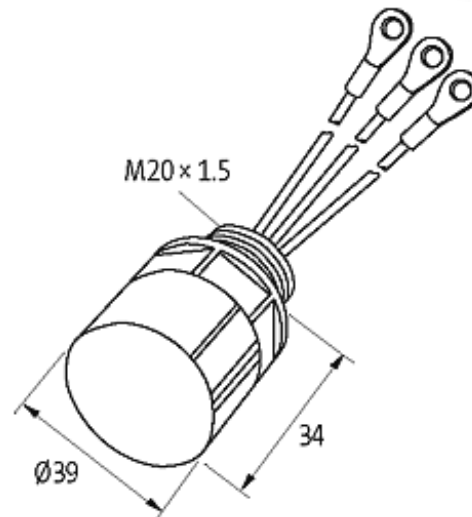
Varistor, 3x690VAC/20kW

3 × 690 V AC  
VDR

Suppressors for other voltages, frequencies, and motor ratings available on request. Do not use RC motor suppressors with frequency inverters.

[Link to Product](#)**Illustration**

VDR



Product may differ from Image

### General data

Connection	approx. 150 mm, single cores 1 mm <sup>2</sup>
Temperature range	-20...+60 °C
Mounting method	on motor terminal box with plug connector
Dimensions H x W x D	39x39x44 mm

### Technical Data

Frequency	10...400 Hz
-----------	-------------

### Commercial data

country of origin	CZ
customs tariff number	85363010
minimum order quantity	1