

MOTOR SUPPRESSOR

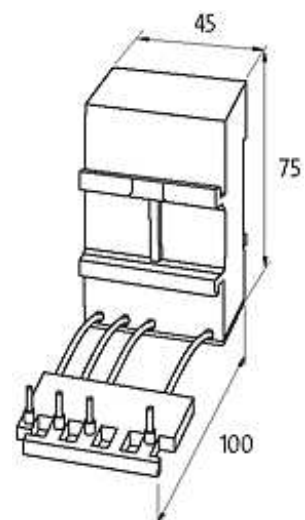
RC, 3x575VAC/5,5kW

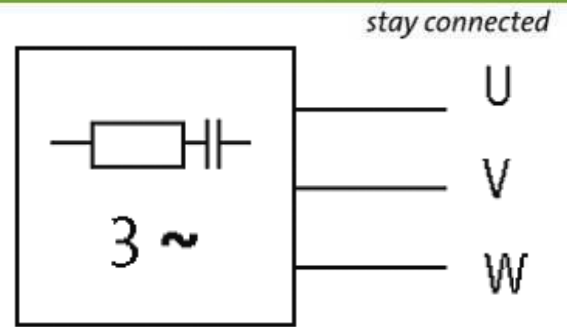
3 × 575 V AC
RC

Suppressors for other voltages, frequencies, and motor ratings available on request. Do not use RC motor suppressors with frequency inverters.

[Link to Product](#)

Illustration





RC

Product may differ from Image

General data

Connection	Ferrule ends, load side securely fixed
Temperature range	-20...+60 °C
Dimensions H × W × D	75×45×100 mm

Technical Data

Frequency	50...60 Hz
-----------	------------

Commercial data

country of origin	CZ
customs tariff number	85363010
minimum order quantity	1