

## MOTOR SUPPRESSOR

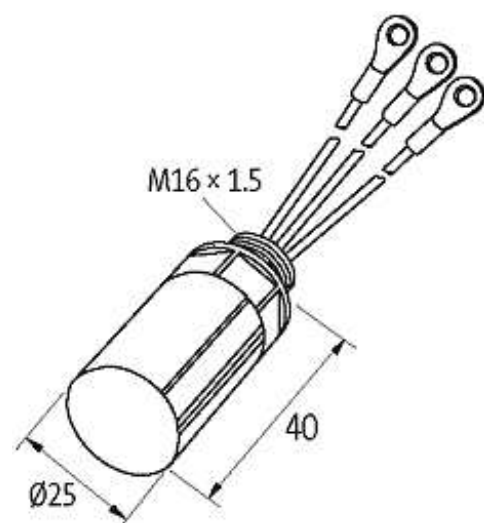
Varistor, 3x400VAC/4kW

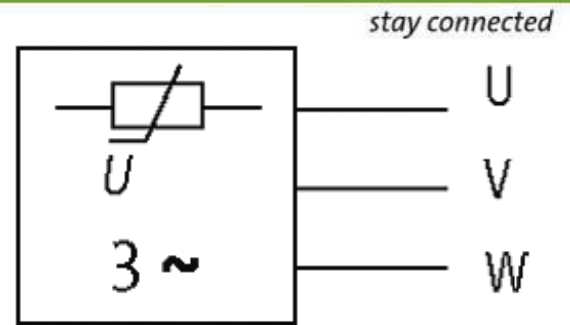
3 × 400 V AC  
VDR  
isolated M6

Suppressors for other voltages, frequencies, and motor ratings available on request. Do not use RC motor suppressors with frequency inverters.

### [Link to Product](#)

#### Illustration





VDR

Product may differ from Image

### Approvals



### General data

Connection	approx. 100 mm, single cores 0.5 mm <sup>2</sup>
Temperature range	-20...+60 °C
Mounting method	on motor terminal box with plug connector
Dimensions H × W × D	25×25×40 mm

### Technical Data

Frequency	10...400 Hz
Ring terminals	isolated M6

### Commercial data

country of origin	CZ
customs tariff number	85363010
minimum order quantity	1