

MOTOR SUPPRESSOR

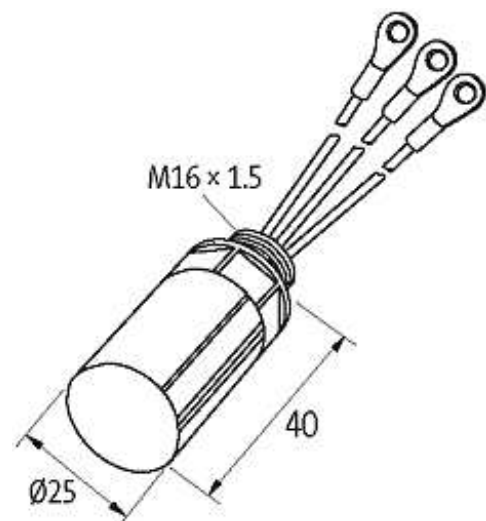
Varistor, 3x575VAC/7,5kW

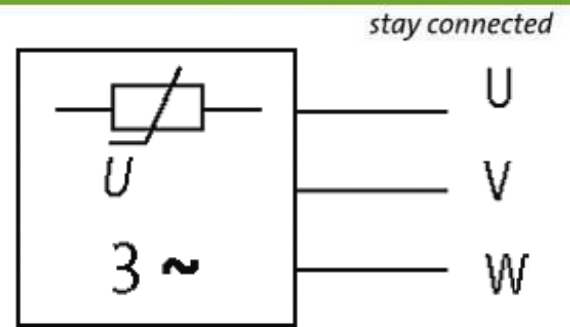
3 × 575 V AC
VDR

Suppressors for other voltages, frequencies, and motor ratings available on request. Do not use RC motor suppressors with frequency inverters.

[Link to Product](#)

Illustration





VDR

Product may differ from Image

Approvals



General data

Connection	approx. 100 mm, single cores 0.5 mm ²
Temperature range	-20...+60 °C
Mounting method	on motor terminal box with plug connector
Dimensions H × W × D	25×25×40 mm

Technical Data

Ring terminals	isolated M6
----------------	-------------

Commercial data

country of origin	CZ
customs tariff number	85363010
minimum order quantity	1