

MOTOR SUPPRESSOR

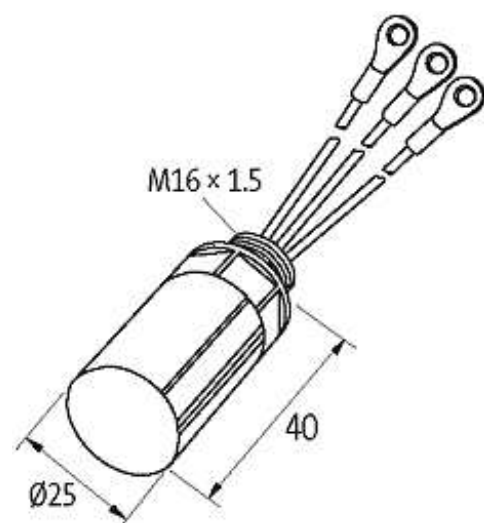
Varistor, 3x400VAC/4kW

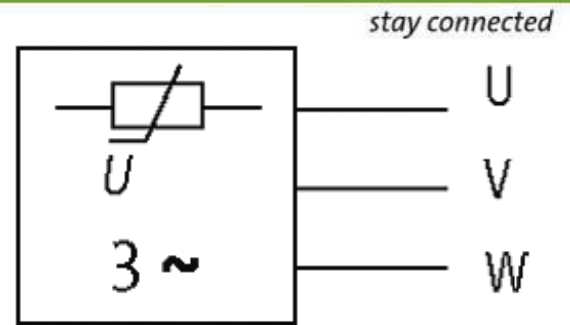
3 × 400 V AC
VDR
isolated M4

Suppressors for other voltages, frequencies, and motor ratings available on request. Do not use RC motor suppressors with frequency inverters.

[Link to Product](#)

Illustration





VDR

Product may differ from Image

Approvals



General data

Connection	approx. 100 mm, single cores 0.5 mm ²
Temperature range	-20...+60 °C
Mounting method	on motor terminal box with plug connector
Dimensions H x W x D	25x25x40 mm

Technical Data

Frequency	10...400 Hz
Ring terminals	isolated M4

Commercial data

country of origin	CZ
customs tariff number	85363010
minimum order quantity	1