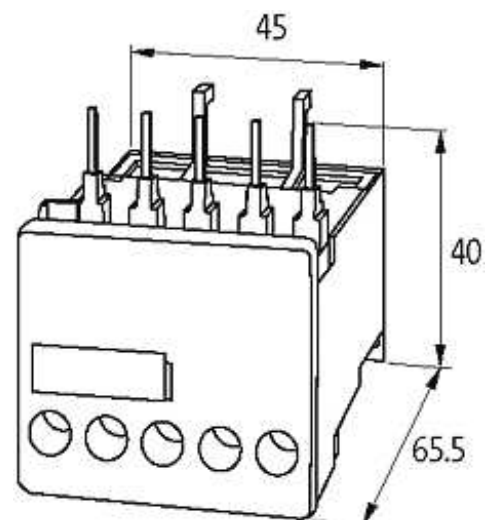


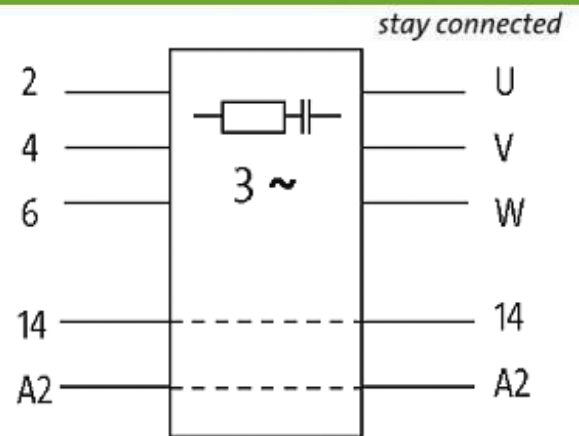
MOTOR SUPPRESSOR

RC, 3x400VAC/5,5kW

3 × 400 V AC
RC

Suppressors for other voltages, frequencies, and motor ratings available on request. Do not use RC motor suppressors with frequency inverters.

[Link to Product](#)**Illustration**



Product may differ from Image

Approvals



Appropriate contactors

Siemens 3 RT 10, 3 RT 20 screw terminal

General data

Connection	fits directly into SIRIUS contactors, size 00
Temperature range	-20...+60 °C
Dimensions H × W × D	40×45×65.5 mm

Commercial data

country of origin	CZ
customs tariff number	85363010
minimum order quantity	1