

MOTOR SUPPRESSOR

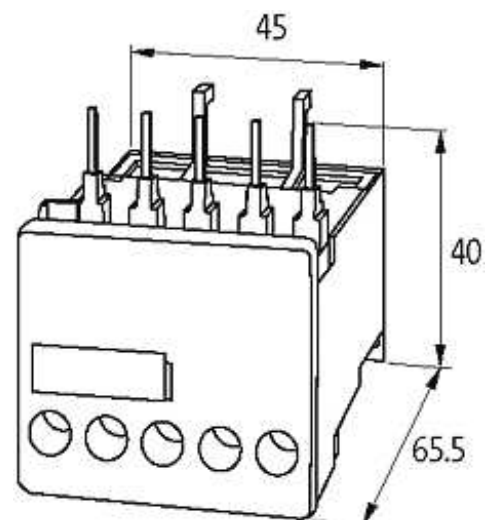
RC, 3x575VAC/5,5kW

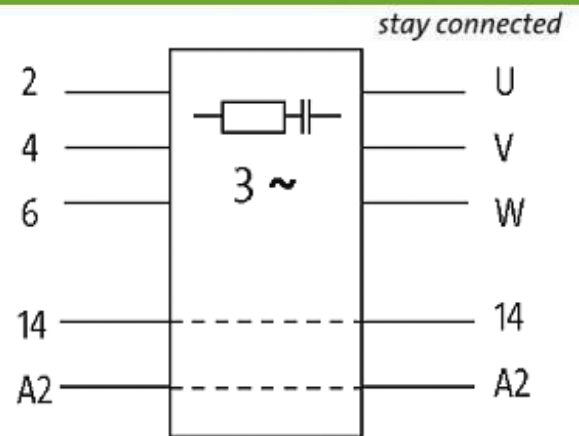
3 × 575 V AC
RC

Suppressors for other voltages, frequencies, and motor ratings available on request. Do not use RC motor suppressors with frequency inverters.

[Link to Product](#)

Illustration





Product may differ from Image

Approvals



Appropriate contactors

Siemens 3 RT 10, 3 RT 20 screw terminal

General data

| | |
|----------------------|---|
| Connection | fits directly into SIRIUS contactors, size 00 |
| Temperature range | -20...+60 °C |
| Dimensions H × W × D | 40×45×65.5 mm |

Commercial data

| | |
|------------------------|----------|
| country of origin | CZ |
| customs tariff number | 85363010 |
| minimum order quantity | 1 |