

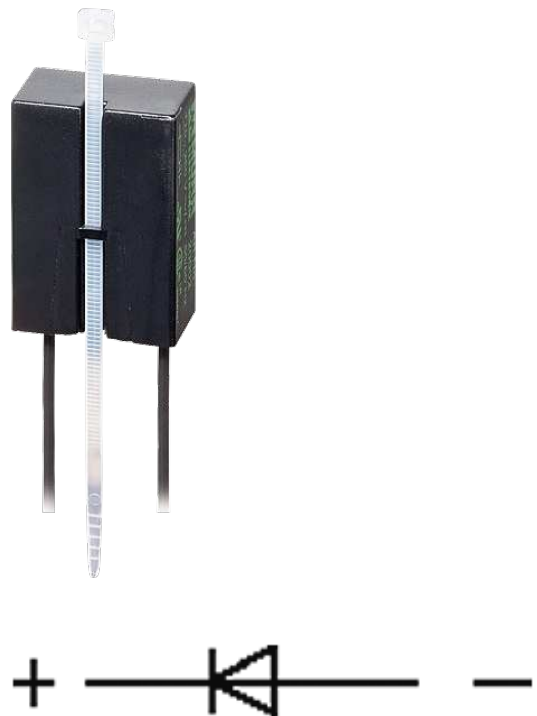
**SUPPRESSOR FOR CONTACTORS**

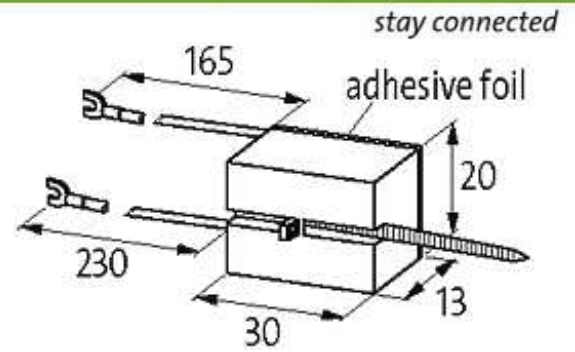
Diode, 24...240 VDC, 15 W

24...240 V DC

Diode

For other configurations and voltages, please inquire

[Link to Product](#)**Illustration****Diode**



Product may differ from Image

### Approvals



### Appropriate contactors

universal

### General data

Temperature range	-20...+70 °C
Dimensions H × W × D	30×20×13 mm

### Technical Data

Max. power (W)	15 W
----------------	------

### Commercial data

country of origin	CZ
customs tariff number	85363010
minimum order quantity	1