

MOELLER CONTACTOR SUPPRESSOR

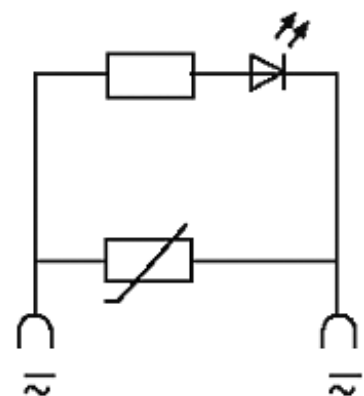
Varistor and LED, 110/230VAC

110 V AC/DC

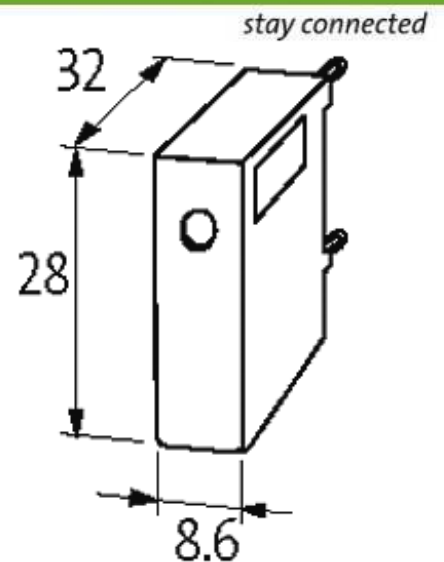
230 V AC/DC

VDR + LED

LED displays for 24 V DC without suppression available on request.

[Link to Product](#)**Illustration**

VDR + LED



Product may differ from Image

Approvals



Appropriate contactors

DIL M7...15, DIL MP20, DIL A

XTCE007B...015B

General data

Temperature range -20...+70 °C

Dimensions H × W × D 28×8.6×32 mm

Technical Data

Damping factor approx. 1.5 × UN

Material Flame retardant plastic acc. to (UL 94)

Connection wires Plug contact

Commercial data

country of origin DE

customs tariff number 85363010

minimum order quantity 1