

MOELLER CONTACTOR SUPPRESSOR

Varistor and LED, 24/48VDC

24 V AC/DC

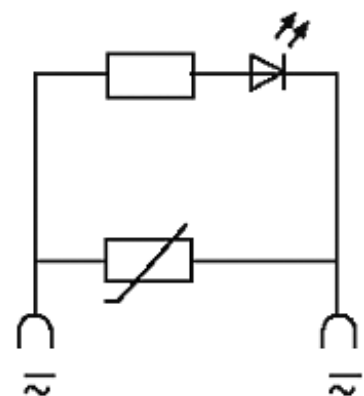
48 V AC/DC

VDR + LED

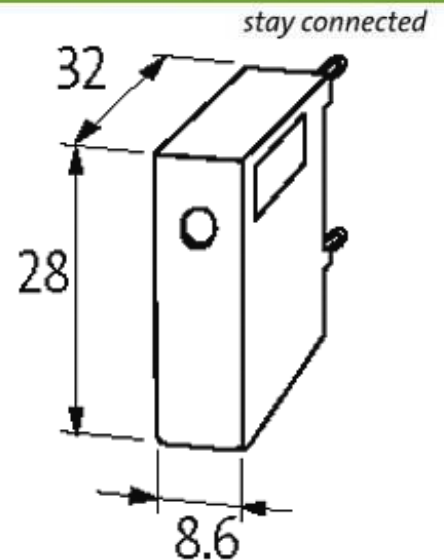
LED displays for 24 V DC without suppression available on request.

[Link to Product](#)

Illustration



VDR + LED



Product may differ from Image

Approvals



Appropriate contactors

DIL M17...32

XTCE018C...032C

General data

Dimensions H × W × D 28×8.6×32 mm

Temperature range -20...+70 °C

Technical Data

Damping factor approx. 1.5 × UN

Material Flame retardant plastic acc. to (UL 94)

Connection wires Plug contact

Commercial data

country of origin DE

customs tariff number 85363010

minimum order quantity 1