

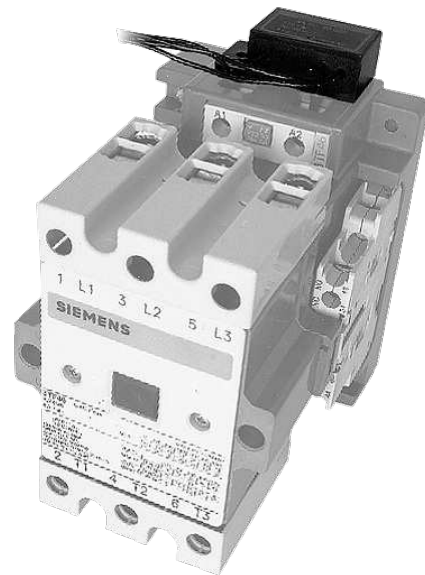
SUPPRESSOR FOR CONTACTORS

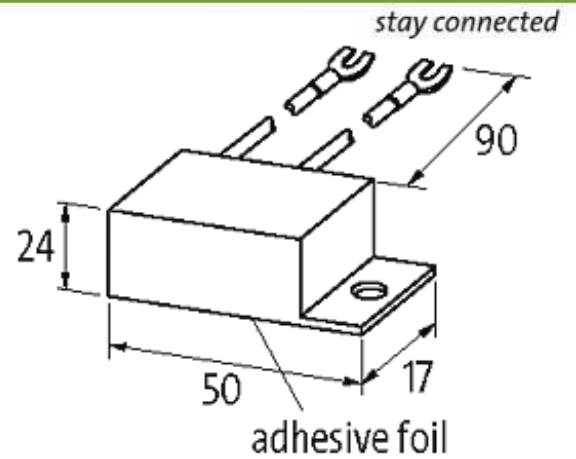
Diode, 230 VDC, 75 W

24...240 V DC

Diode

For other configurations and voltages, please inquire

[Link to Product](#)**Illustration****Diode**



Product may differ from Image

Appropriate contactors

3 TF 46...50; 3 TB 48...56; 3 TC 48...56

General data

Temperature range -20...+70 °C

Dimensions H × W × D 50×17×24 mm

Technical Data

Damping factor approx. 1.5 × UN

Material Flame retardant plastic acc. to (UL 94)

Connection wires self-securing cable forks

Commercial data

country of origin CZ

customs tariff number 85363010

minimum order quantity 1