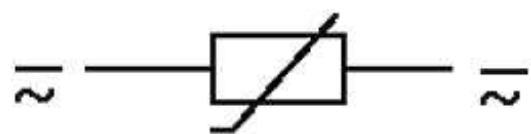


SIEMENS CONTACTOR SUPPRESSOR

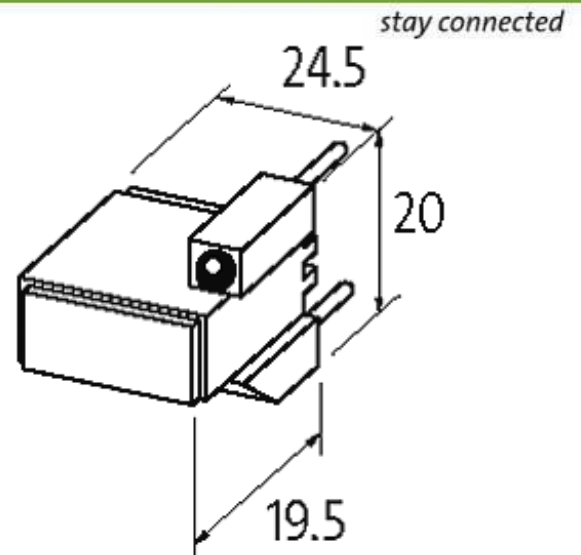
Varistor, 48VDC

48 V AC/DC
VDR

For other configurations and voltages, please inquire

[Link to Product](#)**Illustration**

VDR



Product may differ from Image

Approvals



Appropriate contactors

3 TH 2; 3 TF 2; 3 TH 20; 3 TF 20

General data

Temperature range	-20...+70 °C
Dimensions H × W × D	19.5×20×24.5 mm

Technical Data

Damping factor	approx. 1.5 × UN
Material	Plastic, flame retardant
Connection wires	Plug contact

Commercial data

country of origin	CZ
customs tariff number	85363010
minimum order quantity	1