

SUPPRESSOR FOR CONTACTORS

Diode combination, 240 VDC, 50 W

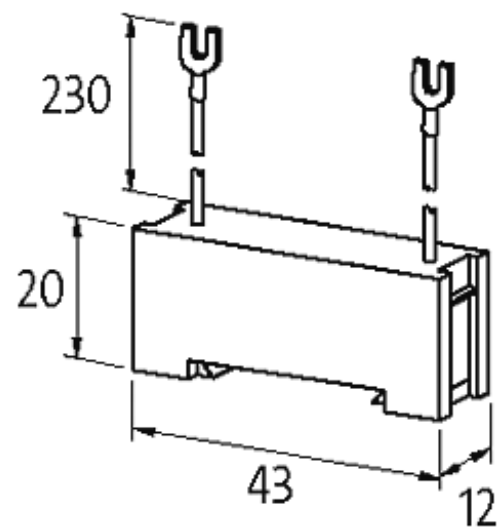
24 V DC

Z-Diode

For other configurations and voltages, please inquire

[Link to Product](#)

Illustration





Diode/Z-Diode

Product may differ from Image

Approvals



Appropriate contactors

universal

General data

Temperature range	-20...+70 °C
Dimensions H × W × D	20×43×12 mm

Technical Data

Max. power (W)	50 W(VA)
----------------	----------

Commercial data

country of origin	CZ
customs tariff number	85363010
minimum order quantity	1