

SUPPRESSOR FOR CONTACTORS

VDR, 24 VAC/DC, 50 VAW

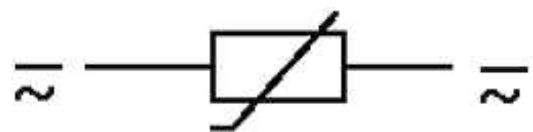
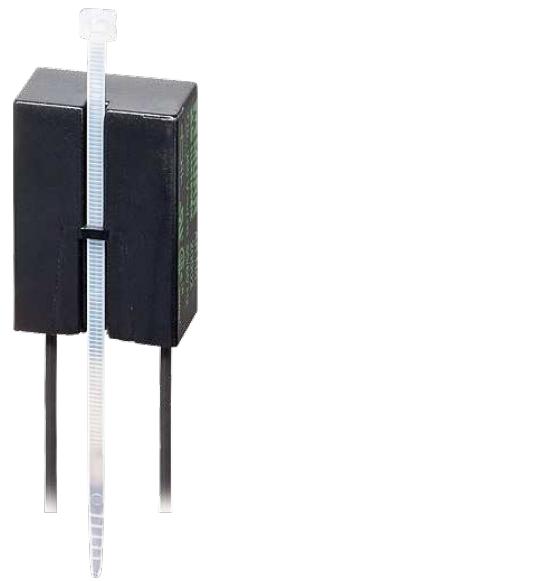
24 V DC

VDR

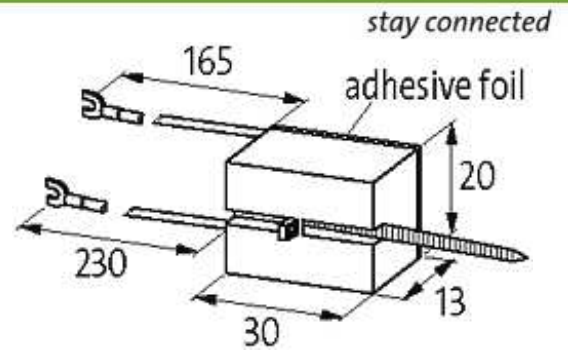
For other configurations and voltages, please inquire

[Link to Product](#)

Illustration



VDR



Product may differ from Image

Approvals



Appropriate contactors

universal

General data

Temperature range	-20...+70 °C
Dimensions H × W × D	30×20×13 mm

Technical Data

Max. power (W)	50 W(VA)
----------------	----------

Commercial data

country of origin	CZ
customs tariff number	85363010
minimum order quantity	1