

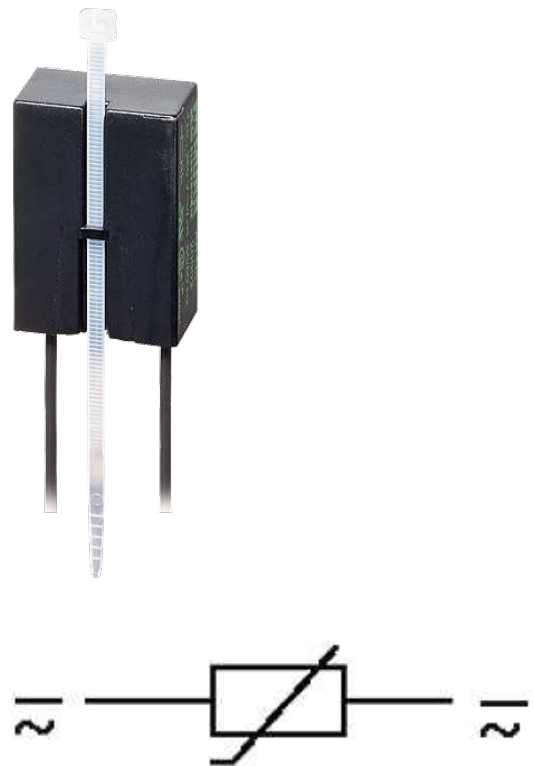
SUPPRESSOR FOR CONTACTORS

VDR, 48 VAC/DC, 70 VAW

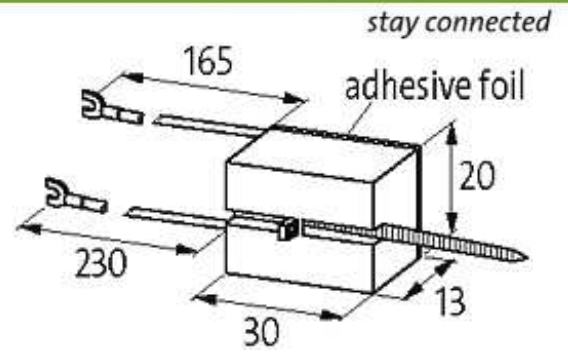
48 V AC/DC

VDR

For other configurations and voltages, please inquire

[Link to Product](#)**Illustration**

VDR



Product may differ from Image

Approvals



Appropriate contactors

universal

General data

Temperature range	-20...+70 °C
Dimensions H × W × D	30×20×13 mm

Technical Data

Max. power (W)	70 W(VA)
----------------	----------

Commercial data

country of origin	CZ
customs tariff number	85363010
minimum order quantity	1