

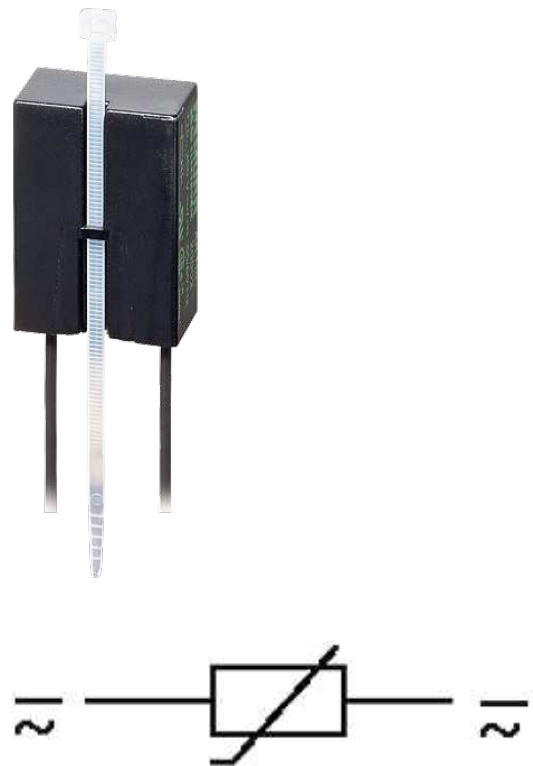
SUPPRESSOR FOR CONTACTORS

VDR, 110 VAC/DC, 100 VAW

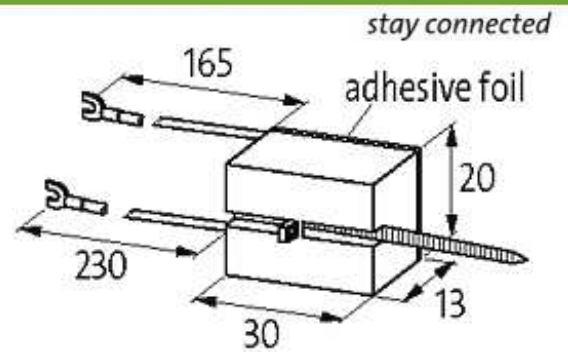
110 V AC/DC

VDR

For other configurations and voltages, please inquire

[Link to Product](#)**Illustration**

VDR



Product may differ from Image

Approvals



Appropriate contactors

universal

General data

Temperature range -20...+70 °C

Dimensions H × W × D 30×20×13 mm

Technical Data

Max. power (W) max. 100 W(VA)

Commercial data

country of origin CZ

customs tariff number 85363010

minimum order quantity 1