

## SUPPRESSOR FOR CONTACTORS

VDR,230 VAC/DC, 200 VA/W

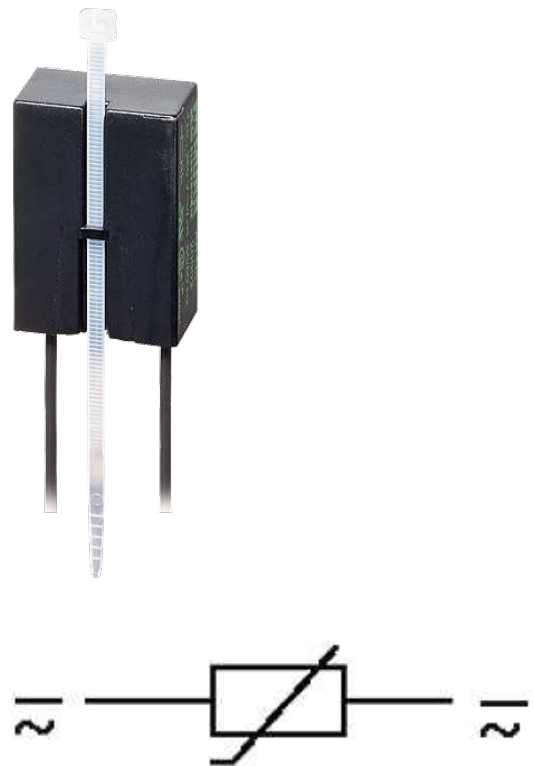
230 V AC/DC

VDR

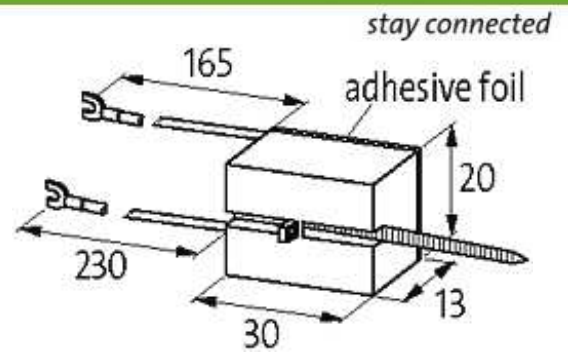
For other configurations and voltages, please inquire

### [Link to Product](#)

#### Illustration



VDR



Product may differ from Image

### Approvals



### Appropriate contactors

universal

### General data

Temperature range	-20...+70 °C
Dimensions H × W × D	30×20×13 mm

### Technical Data

Max. power (W)	200 W(VA)
----------------	-----------

### Commercial data

country of origin	CZ
customs tariff number	85363010
minimum order quantity	1